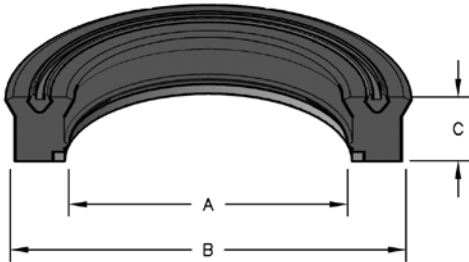


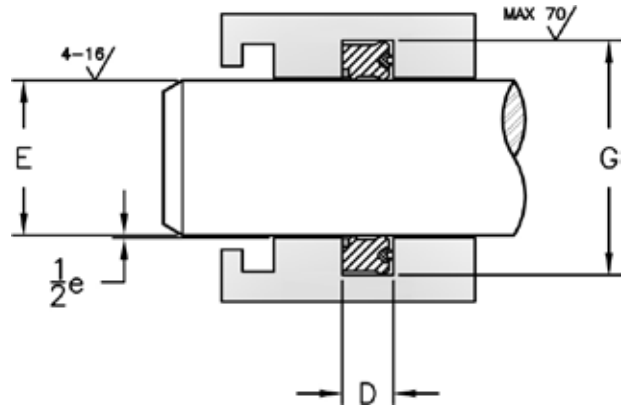
# STYLE MRTUB SUPER-DUTY ROD U-SEALS

Our premium single-acting polyurethane rod seal incorporates an NBR energizer to seal at low pressures. The twin lip design provides stability and friction-reducing lube retention for dry rod sealing, and the included hard acetal backup ring resists extrusion. MRTUB is capable of pressures up to 10,000 psi in approved applications.



**PART NUMBERS**

**MRTUB - 35 x 50 x 9.5**  
 Type of Seal | Rod Diameter | Groove Diameter | Height



SEAL INFORMATION					
MATERIAL	94A URETHANE SEAL RUBBER ENERGIZER POLYACETAL ANTI-EXTRUSION RING				
MAXIMUM OPERATING CONDITIONS					
MAXIMUM SPEED	PRESSURE RANGE		TEMPERATURE RANGE		
3 ft/sec	0 - 6,000 psi		-50° to +230° F		
MAXIMUM EXTRUSION GAP					
PRESSURE	2,400 psi	3,750 psi	6,000 psi	7,500 psi	10,000 psi
MAX. DIAM. GAP	.040"	.032"	.024"	.016"	.010"

Part Number	A Nom. ID	B Nom. OD	C Nom. Ht	D GROOVE WIDTH	E ROD DIAMETER	G HOUSING DIAMETER	List Price
MRTUB-30X40X7.3	30	40	7.3	8.00 <sup>+0.25</sup> / <sub>+0.00</sub>	30.00 <sup>-0.020</sup> / <sub>-0.072</sub>	40.00 ±0.08	\$39.04
MRTUB-30X40X10	30	40	10	11.00 <sup>+0.25</sup> / <sub>+0.00</sub>	30.00 <sup>-0.020</sup> / <sub>-0.072</sub>	40.00 ±0.08	49.04
MRTUB-35X50X9.5	35	50	9.5	10.50 <sup>+0.25</sup> / <sub>+0.00</sub>	35.00 <sup>-0.025</sup> / <sub>-0.087</sub>	50.00 ±0.08	42.69
MRTUB-35X45X10	35	45	10	11.00 <sup>+0.25</sup> / <sub>+0.00</sub>	35.00 <sup>-0.025</sup> / <sub>-0.087</sub>	45.00 ±0.08	49.69
MRTUB-36X46X7.3	36	46	7.3	8.00 <sup>+0.25</sup> / <sub>+0.00</sub>	36.00 <sup>-0.025</sup> / <sub>-0.087</sub>	46.00 ±0.08	43.49
MRTUB-40X50X7.3	40	50	7.3	8.00 <sup>+0.25</sup> / <sub>+0.00</sub>	40.00 <sup>-0.025</sup> / <sub>-0.087</sub>	50.00 ±0.08	46.30
MRTUB-40X50X10	40	50	10	11.00 <sup>+0.25</sup> / <sub>+0.00</sub>	40.00 <sup>-0.025</sup> / <sub>-0.087</sub>	50.00 ±0.08	50.37
MRTUB-45X55X7.3	45	55	7.3	8.00 <sup>+0.25</sup> / <sub>+0.00</sub>	45.00 <sup>-0.025</sup> / <sub>-0.087</sub>	55.00 ±0.095	50.16
MRTUB-45X55X10	45	55	10	11.00 <sup>+0.25</sup> / <sub>+0.00</sub>	45.00 <sup>-0.025</sup> / <sub>-0.087</sub>	55.00 ±0.095	51.05

## STYLE MRTUB SUPER-DUTY ROD U-SEALS



Part Number	A Nom. ID	B Nom. OD	C Nom. Ht	D GROOVE WIDTH	E ROD DIAMETER	G HOUSING DIAMETER	List Price
MRTUB-45X60X11.4	45	60	11.4	12.50 <sup>+0.25</sup> / <sub>+0.00</sub>	45.00 <sup>-0.025</sup> / <sub>-0.087</sub>	60.00 ±0.095	51.51
MRTUB-50X60X7.3	50	60	7.3	8.00 <sup>+0.25</sup> / <sub>+0.00</sub>	50.00 <sup>-0.025</sup> / <sub>-0.087</sub>	60.00 ±0.095	53.90
MRTUB-50X60X10	50	60	10	11.00 <sup>+0.25</sup> / <sub>+0.00</sub>	50.00 <sup>-0.025</sup> / <sub>-0.087</sub>	60.00 ±0.095	51.72
MRTUB-50X65X10	50	65	10	11.00 <sup>+0.25</sup> / <sub>+0.00</sub>	50.00 <sup>-0.025</sup> / <sub>-0.087</sub>	65.00 ±0.095	49.22
MRTUB-50X65X11.4	50	65	11.4	12.50 <sup>+0.25</sup> / <sub>+0.00</sub>	50.00 <sup>-0.025</sup> / <sub>-0.087</sub>	65.00 ±0.095	55.49
MRTUB-55X70X9	55	70	9	10.00 <sup>+0.25</sup> / <sub>+0.00</sub>	55.00 <sup>-0.030</sup> / <sub>-0.104</sub>	70.00 ±0.095	47.17
MRTUB-55X65X10	55	65	10	11.00 <sup>+0.25</sup> / <sub>+0.00</sub>	55.00 <sup>-0.030</sup> / <sub>-0.104</sub>	65.00 ±0.095	52.40
MRTUB-55X70X11.4	55	70	11.4	12.50 <sup>+0.25</sup> / <sub>+0.00</sub>	55.00 <sup>-0.030</sup> / <sub>-0.104</sub>	70.00 ±0.095	57.40
MRTUB-56X71X11.4	56	71	11.4	12.50 <sup>+0.25</sup> / <sub>+0.00</sub>	56.00 <sup>-0.030</sup> / <sub>-0.104</sub>	71.00 ±0.095	58.18
MRTUB-56X71X12.5KI	56	71	12.5	12.50 <sup>+0.20</sup> / <sub>+0.00</sub>	56.00 <sup>-0.030</sup> / <sub>-0.076</sub>	71.00 <sup>+0.19</sup> / <sub>+0.00</sub>	38.40
MRTUB-60X75X11.4	60	75	11.4	12.50 <sup>+0.25</sup> / <sub>+0.00</sub>	60.00 <sup>-0.030</sup> / <sub>-0.104</sub>	75.00 ±0.095	61.26
MRTUB-60X73X13	60	73	13	14.00 <sup>+0.25</sup> / <sub>+0.00</sub>	60.00 <sup>-0.030</sup> / <sub>-0.104</sub>	73.00 ±0.095	51.51
MRTUB-63X78X11.4	63	78	11.4	12.50 <sup>+0.25</sup> / <sub>+0.00</sub>	63.00 <sup>-0.030</sup> / <sub>-0.104</sub>	78.00 ±0.095	63.49
MRTUB-63X83X11.8	63	83	11.8	13.00 <sup>+0.25</sup> / <sub>+0.00</sub>	63.00 <sup>-0.030</sup> / <sub>-0.104</sub>	83.00 ±0.11	64.99
MRTUB-65X75X10	65	75	10	11.00 <sup>+0.25</sup> / <sub>+0.00</sub>	65.00 <sup>-0.030</sup> / <sub>-0.104</sub>	75.00 ±0.095	55.32
MRTUB-65X80X10	65	80	10	11.00 <sup>+0.25</sup> / <sub>+0.00</sub>	65.00 <sup>-0.030</sup> / <sub>-0.104</sub>	80.00 ±0.095	58.13
MRTUB-65X80X11.4	65	80	11.4	12.50 <sup>+0.25</sup> / <sub>+0.00</sub>	65.00 <sup>-0.030</sup> / <sub>-0.104</sub>	80.00 ±0.095	61.42
MRTUB-70X85X11.4	70	85	11.4	12.50 <sup>+0.25</sup> / <sub>+0.00</sub>	70.00 <sup>-0.030</sup> / <sub>-0.104</sub>	85.00 ±0.11	68.94
MRTUB-70X83X13	70	83	13	14.00 <sup>+0.25</sup> / <sub>+0.00</sub>	70.00 <sup>-0.030</sup> / <sub>-0.104</sub>	83.00 ±0.11	54.73
MRTUB-75X88X13	75	88	13	14.00 <sup>+0.25</sup> / <sub>+0.00</sub>	75.00 <sup>-0.030</sup> / <sub>-0.104</sub>	88.00 ±0.11	56.35
MRTUB-80X95X11.4	80	95	11.4	12.50 <sup>+0.25</sup> / <sub>+0.00</sub>	80.00 <sup>-0.030</sup> / <sub>-0.104</sub>	95.00 ±0.11	76.21
MRTUB-80X95X13	80	95	13	14.00 <sup>+0.25</sup> / <sub>+0.00</sub>	80.00 <sup>-0.030</sup> / <sub>-0.104</sub>	95.00 ±0.11	82.40
MRTUB-85X100X11.8	85	100	11.8	13.00 <sup>+0.25</sup> / <sub>+0.00</sub>	85.00 <sup>-0.036</sup> / <sub>-0.123</sub>	100.00 ±0.11	67.78
MRTUB-85X100X13	85	100	13	14.00 <sup>+0.25</sup> / <sub>+0.00</sub>	85.00 <sup>-0.036</sup> / <sub>-0.123</sub>	100.00 ±0.11	62.37
MRTUB-90X105X11.4	90	105	11.4	12.50 <sup>+0.25</sup> / <sub>+0.00</sub>	90.00 <sup>-0.036</sup> / <sub>-0.123</sub>	105.00 ±0.11	83.44
MRTUB-90X105X13	90	105	13	14.00 <sup>+0.25</sup> / <sub>+0.00</sub>	90.00 <sup>-0.036</sup> / <sub>-0.123</sub>	105.00 ±0.11	67.13
MRTUB-95X110X13	95	110	13	14.00 <sup>+0.25</sup> / <sub>+0.00</sub>	95.00 <sup>-0.036</sup> / <sub>-0.123</sub>	110.00 ±0.11	68.59
MRTUB-100X115X11	100	115	11	12.00 <sup>+0.25</sup> / <sub>+0.00</sub>	100.00 <sup>-0.036</sup> / <sub>-0.123</sub>	115.00 ±0.11	94.75
MRTUB-100X115X13	100	115	13	14.00 <sup>+0.25</sup> / <sub>+0.00</sub>	100.00 <sup>-0.036</sup> / <sub>-0.123</sub>	115.00 ±0.11	70.39
MRTUB-100X115X14.5	100	115	14.5	16.00 <sup>+0.25</sup> / <sub>+0.00</sub>	100.00 <sup>-0.036</sup> / <sub>-0.123</sub>	115.00 ±0.11	105.71

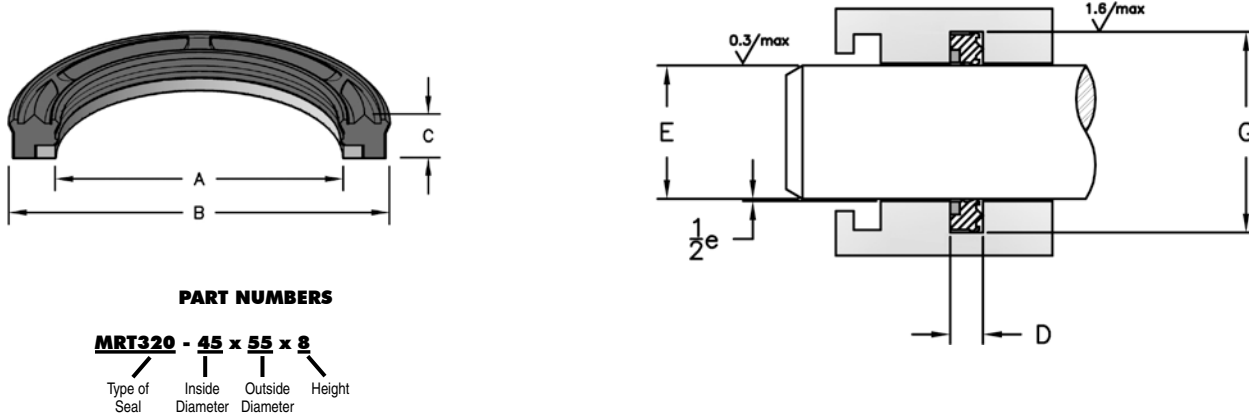

**STYLE MRTUB SUPER-DUTY ROD U-SEALS**

Part Number	A Nom. ID	B Nom. OD	C Nom. Ht	D GROOVE WIDTH	E ROD DIAMETER	G HOUSING DIAMETER	List Price
MRTUB-100X120X14.6	100	120	14.6	16.00 <sup>+0.25</sup> / <sub>+0.00</sub>	100.00 <sup>-0.036</sup> / <sub>-0.123</sub>	120.00 ±0.11	91.12
MRTUB-105X120X11.8	105	120	11.8	13.00 <sup>+0.25</sup> / <sub>+0.00</sub>	105.00 <sup>-0.036</sup> / <sub>-0.123</sub>	120.00 ±0.11	106.35
MRTUB-110X130X13	110	130	13	14.00 <sup>+0.25</sup> / <sub>+0.00</sub>	110.00 <sup>-0.036</sup> / <sub>-0.123</sub>	130.00 ±0.125	74.81
MRTUB-110X130X14.6	110	130	14.6	16.00 <sup>+0.25</sup> / <sub>+0.00</sub>	110.00 <sup>-0.036</sup> / <sub>-0.123</sub>	130.00 ±0.125	98.38
MRTUB-115X135X14.6	115	135	14.6	16.00 <sup>+0.25</sup> / <sub>+0.00</sub>	115.00 <sup>-0.036</sup> / <sub>-0.123</sub>	135.00 ±0.125	89.22
MRTUB-120X140X13	120	140	13	14.00 <sup>+0.25</sup> / <sub>+0.00</sub>	120.00 <sup>-0.036</sup> / <sub>-0.123</sub>	140.00 ±0.125	77.63
MRTUB-120X135X14.6	120	135	14.6	16.00 <sup>+0.25</sup> / <sub>+0.00</sub>	120.00 <sup>-0.036</sup> / <sub>-0.123</sub>	135.00 ±0.125	105.94
MRTUB-120X140X14.6	120	140	14.6	16.00 <sup>+0.25</sup> / <sub>+0.00</sub>	120.00 <sup>-0.036</sup> / <sub>-0.123</sub>	140.00 ±0.125	95.52
MRTUB-125X145X14.6	125	145	14.6	16.00 <sup>+0.25</sup> / <sub>+0.00</sub>	125.00 <sup>-0.043</sup> / <sub>-0.143</sub>	145.00 ±0.125	87.51
MRTUB-130X150X14.6	130	150	14.6	16.00 <sup>+0.25</sup> / <sub>+0.00</sub>	130.00 <sup>-0.043</sup> / <sub>-0.143</sub>	150.00 ±0.125	97.52
MRTUB-140X160X13	140	160	13	14.00 <sup>+0.25</sup> / <sub>+0.00</sub>	140.00 <sup>-0.043</sup> / <sub>-0.143</sub>	160.00 ±0.125	86.70
MRTUB-140X160X14.6	140	160	14.6	16.00 <sup>+0.25</sup> / <sub>+0.00</sub>	140.00 <sup>-0.043</sup> / <sub>-0.143</sub>	160.00 ±0.125	119.84
MRTUB-150X165X14.5	150	165	14.5	16.00 <sup>+0.25</sup> / <sub>+0.00</sub>	150.00 <sup>-0.043</sup> / <sub>-0.143</sub>	165.00 ±0.125	120.02

# STYLE MRT320 ROD U-SEALS



Compact seal with integrated back-up ring, additional support edge and sealing edge.



SEAL INFORMATION					
MATERIAL	94A URETHANE				
MAXIMUM OPERATING CONDITIONS					
MAXIMUM SPEED	PRESSURE RANGE		TEMPERATURE RANGE		
1.65 ft/sec	7,250 psi		-34° to +255° F		
MAXIMUM EXTRUSION GAP					
PRESSURE	3,770 psi	4,640 psi	5,800 psi	7,250 psi	
MAX. DIAM. GAP	.024"	.022"	.018"	.014"	

Part Number	A Nom. ID	B Nom. OD	C Nom. Ht	D GROOVE WIDTH	E ROD DIAMETER	G HOUSING DIAMETER	List Price
MRT320-40X50X8	40	50	8	8.00 +0.20 +0.00	40.00 -0.025 -0.064	50.00 +0.16 +0.00	\$21.13
MRT320-45X55X8	45	55	8	8.00 +0.20 +0.00	45.00 -0.025 -0.064	55.00 +0.19 +0.00	21.34
MRT320-50X65X12.5	50	65	12.5	12.50 +0.20 +0.00	50.00 -0.025 -0.064	65.00 +0.19 +0.00	24.57
MRT320-56X71X12.5	56	71	12.5	12.50 +0.20 +0.00	56.00 -0.030 -0.076	71.00 +0.19 +0.00	27.29
MRT320-63X78X12.5	63	78	12.5	12.50 +0.20 +0.00	63.00 -0.030 -0.076	78.00 +0.19 +0.00	28.12
MRT320-70X85X12.5	70	85	12.5	12.50 +0.20 +0.00	70.00 -0.030 -0.076	85.00 +0.22 +0.00	33.74
MRT320-75X90X13	75	90	13	13.00 +0.20 +0.00	75.00 -0.030 -0.076	90.00 +0.22 +0.00	35.85
MRT320-80X95X12.5	80	95	12.5	12.50 +0.20 +0.00	80.00 -0.030 -0.076	95.00 +0.22 +0.00	38.67
MRT320-85X100X13	85	100	13	13.00 +0.20 +0.00	85.00 -0.036 -0.090	100.00 +0.22 +0.00	42.42



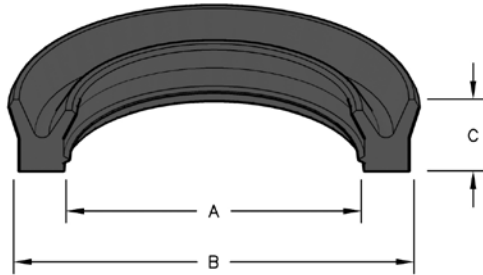
## STYLE MRT320 ROD U-SEALS

Part Number	A Nom. ID	B Nom. OD	C Nom. Ht	D GROOVE WIDTH	E ROD DIAMETER	G HOUSING DIAMETER	List Price
MRT320-95X110X13	95	110	13	13.00 <sup>+0.20</sup> / <sub>+0.00</sub>	95.00 <sup>-0.036</sup> / <sub>-0.090</sub>	110.00 <sup>+0.22</sup> / <sub>+0.00</sub>	49.92
MRT320-100X120X16	100	120	16	16.00 <sup>+0.20</sup> / <sub>+0.00</sub>	100.00 <sup>-0.036</sup> / <sub>-0.090</sub>	120.00 <sup>+0.22</sup> / <sub>+0.00</sub>	56.72
MRT320-110X130X16	110	130	16	16.00 <sup>+0.20</sup> / <sub>+0.00</sub>	110.00 <sup>-0.036</sup> / <sub>-0.090</sub>	130.00 <sup>+0.25</sup> / <sub>+0.00</sub>	67.50
MRT320-125X145X16	125	145	16	16.00 <sup>+0.20</sup> / <sub>+0.00</sub>	125.00 <sup>-0.043</sup> / <sub>-0.106</sub>	145.00 <sup>+0.25</sup> / <sub>+0.00</sub>	78.98
MRT320-140X160X16	140	160	16	16.00 <sup>+0.20</sup> / <sub>+0.00</sub>	140.00 <sup>-0.043</sup> / <sub>-0.106</sub>	160.00 <sup>+0.25</sup> / <sub>+0.00</sub>	103.73

# STYLE MRTU ROD U-SEALS



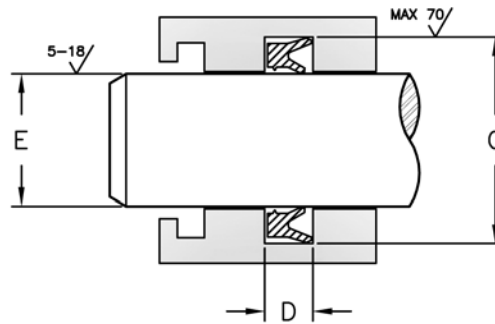
Molded in a tough urethane, this seal employs an additional lip near the heel. The twin lip design provides stability, friction-reducing lube retention, and some contaminant resistance. VME - Secondary lip is further from heel than standard MRTU. **NOTE:** E = European Size.



**PART NUMBERS**

**MRTU - 12 x 18 x 5.7**  
 Type of Seal    Inside Diameter    Outside Diameter    Height

SEAL INFORMATION	
MATERIAL	URETHANE
TEMPERATURE RANGE	-40° TO +225° F E: -22° TO +212° F
PRESSURE RANGE	0 TO 5,000 PSI
SPEED	3 FT/SEC



Part Number	A Nom. ID	B Nom. OD	C Nom. Ht	D GROOVE WIDTH	E ROD DIAMETER	G HOUSING DIAMETER	List Price
MRTU-12X18X5.7	12	18	5.7	6.30 <sup>+0.25</sup> / <sub>+0.00</sub>	12.00 <sup>-0.016</sup> / <sub>-0.059</sub>	18.00 ±0.055	\$9.39
MRTU-12X20X5.7	12	20	5.7	6.30 <sup>+0.25</sup> / <sub>+0.00</sub>	12.00 <sup>-0.016</sup> / <sub>-0.059</sub>	20.00 ±0.065	9.48
MRTU-14X22X5.7	14	22	5.7	6.30 <sup>+0.25</sup> / <sub>+0.00</sub>	14.00 <sup>-0.016</sup> / <sub>-0.059</sub>	22.00 ±0.065	7.54
MRTU-15X22X5.7	15	22	5.7	6.30 <sup>+0.25</sup> / <sub>+0.00</sub>	15.00 <sup>-0.016</sup> / <sub>-0.059</sub>	22.00 ±0.065	9.47
MRTU-16X22X5	16	22	5	6.00 <sup>+0.25</sup> / <sub>+0.00</sub>	16.00 <sup>-0.016</sup> / <sub>-0.059</sub>	22.00 ±0.065	10.60
MRTU-16X24X5	16	24	5	5.50 <sup>+0.25</sup> / <sub>+0.00</sub>	16.00 <sup>-0.016</sup> / <sub>-0.059</sub>	24.00 ±0.065	12.52
MRTU-16X24X5.7	16	24	5.8	6.30 <sup>+0.25</sup> / <sub>+0.00</sub>	16.00 <sup>-0.016</sup> / <sub>-0.059</sub>	24.00 ±0.065	11.54
MRTU-16X26X7.7	16	26	7.7	9.00 <sup>+0.25</sup> / <sub>+0.00</sub>	16.00 <sup>-0.016</sup> / <sub>-0.059</sub>	26.00 ±0.065	10.16
MRTU-18X25X5	18	25	5	6.00 <sup>+0.25</sup> / <sub>+0.00</sub>	18.00 <sup>-0.016</sup> / <sub>-0.059</sub>	25.00 ±0.065	10.67
MRTU-18X26X5	18	26	5	5.70 <sup>+0.25</sup> / <sub>+0.00</sub>	18.00 <sup>-0.016</sup> / <sub>-0.059</sub>	26.00 ±0.065	8.03
MRTU-18X26X5.7	18	26	5.7	6.30 <sup>+0.25</sup> / <sub>+0.00</sub>	18.00 <sup>-0.016</sup> / <sub>-0.059</sub>	26.00 ±0.065	8.26
MRTU-18X26X6	18	26	6	7.00 <sup>+0.25</sup> / <sub>+0.00</sub>	18.00 <sup>-0.016</sup> / <sub>-0.059</sub>	26.00 ±0.065	11.87



## STYLE MRTU ROD U-SEALS

Part Number	A Nom. ID	B Nom. OD	C Nom. Ht	D GROOVE WIDTH	E ROD DIAMETER	G HOUSING DIAMETER	List Price
MRTU-20X26X5	20	26	5	5.50 <sup>+0.25</sup> / <sub>+0.00</sub>	20.00 <sup>-0.020</sup> / <sub>-0.072</sub>	26.00 ±0.065	8.46
MRTU-20X28X5	20	28	5	5.70 <sup>+0.25</sup> / <sub>+0.00</sub>	20.00 <sup>-0.020</sup> / <sub>-0.072</sub>	28.00 ±0.065	8.50
MRTU-20X28X5.7	20	28	5.7	6.30 <sup>+0.25</sup> / <sub>+0.00</sub>	20.00 <sup>-0.020</sup> / <sub>-0.072</sub>	28.00 ±0.065	9.66
MRTU-20X30X6	20	30	6	7.00 <sup>+0.25</sup> / <sub>+0.00</sub>	20.00 <sup>-0.020</sup> / <sub>-0.072</sub>	30.00 ±0.065	8.50
MRTU-20X30X7.7	20	30	7.7	9.00 <sup>+0.25</sup> / <sub>+0.00</sub>	20.00 <sup>-0.020</sup> / <sub>-0.072</sub>	30.00 ±0.065	10.14
MRTU-22X30X5.7	22	30	5.7	6.30 <sup>+0.25</sup> / <sub>+0.00</sub>	22.00 <sup>-0.020</sup> / <sub>-0.072</sub>	30.00 ±0.065	9.28
MRTU-22X30X7.3	22	30	7.3	8.00 <sup>+0.25</sup> / <sub>+0.00</sub>	22.00 <sup>-0.020</sup> / <sub>-0.072</sub>	30.00 ±0.065	8.50
MRTU-22X32X7.3	22	32	7.3	8.00 <sup>+0.25</sup> / <sub>+0.00</sub>	22.00 <sup>-0.020</sup> / <sub>-0.072</sub>	32.00 ±0.08	9.66
MRTU-25X33X4.9	25	33	4.9	5.50 <sup>+0.20</sup> / <sub>+0.00</sub>	25.00 <sup>+0.000</sup> / <sub>-0.052</sub>	33.00 <sup>+0.10</sup> / <sub>+0.00</sub>	9.20
MRTU-25X33X5	25	33	5	5.70 <sup>+0.25</sup> / <sub>+0.00</sub>	25.00 <sup>-0.020</sup> / <sub>-0.072</sub>	33.00 ±0.08	8.47
MRTU-25X33X5.7	25	33	5.7	6.30 <sup>+0.25</sup> / <sub>+0.00</sub>	25.00 <sup>-0.020</sup> / <sub>-0.072</sub>	33.00 ±0.08	9.28
MRTU-25X35X7.3	25	35	7.3	8.00 <sup>+0.25</sup> / <sub>+0.00</sub>	25.00 <sup>-0.020</sup> / <sub>-0.072</sub>	35.00 ±0.08	8.50
MRTU-25X35X7.7	25	35	7.7	9.00 <sup>+0.25</sup> / <sub>+0.00</sub>	25.00 <sup>-0.020</sup> / <sub>-0.072</sub>	35.00 ±0.08	10.20
MRTU-25X35X8	25	35	8	9.00 <sup>+0.20</sup> / <sub>+0.00</sub>	25.00 <sup>-0.020</sup> / <sub>-0.053</sub>	35.00 <sup>+0.16</sup> / <sub>+0.00</sub>	14.32
MRTU-25X35X10	25	35	10	11.00 <sup>+0.25</sup> / <sub>+0.00</sub>	25.00 <sup>-0.020</sup> / <sub>-0.072</sub>	35.00 ±0.08	10.20
MRTU-28X38X7.3	28	38	7.3	8.00 <sup>+0.25</sup> / <sub>+0.00</sub>	28.00 <sup>-0.020</sup> / <sub>-0.072</sub>	38.00 ±0.08	10.20
MRTU-28X43X11.4	28	43	11.4	12.50 <sup>+0.25</sup> / <sub>+0.00</sub>	28.00 <sup>-0.020</sup> / <sub>-0.072</sub>	43.00 ±0.08	10.20
MRTU-30X40X6	30	40	6	7.00 <sup>+0.25</sup> / <sub>+0.00</sub>	30.00 <sup>-0.020</sup> / <sub>-0.072</sub>	40.00 ±0.08	10.23
MRTU-30X38X6.3	30	38	6.3	7.00 <sup>+0.25</sup> / <sub>+0.00</sub>	30.00 <sup>-0.020</sup> / <sub>-0.072</sub>	38.00 ±0.08	10.20
MRTU-30X40X6.5-E	30	40	6.5	7.50 <sup>+0.20</sup> / <sub>+0.00</sub>	30.00 <sup>-0.020</sup> / <sub>-0.053</sub>	40.00 ±0.05	10.55
MRTU-30X40X7	30	40	7	7.70 <sup>+0.25</sup> / <sub>+0.00</sub>	30.00 <sup>-0.020</sup> / <sub>-0.072</sub>	40.00 ±0.08	8.65
MRTU-30X40X10	30	40	10	11.00 <sup>+0.25</sup> / <sub>+0.00</sub>	30.00 <sup>-0.020</sup> / <sub>-0.072</sub>	40.00 ±0.08	10.60
MRTU-30X45X10	30	45	10	11.00 <sup>+0.20</sup> / <sub>+0.00</sub>	30.00 <sup>-0.020</sup> / <sub>-0.053</sub>	45.00 <sup>+0.16</sup> / <sub>+0.00</sub>	11.07
MRTU-30X50X10	30	50	10	11.00 <sup>+0.25</sup> / <sub>+0.00</sub>	30.00 <sup>-0.020</sup> / <sub>-0.072</sub>	50.00 ±0.08	12.26
MRTU-32X42X5.7	32	42	5.7	6.30 <sup>+0.25</sup> / <sub>+0.00</sub>	32.00 <sup>-0.025</sup> / <sub>-0.087</sub>	42.00 ±0.08	9.66
MRTU-32X40X6	32	40	6	7.00 <sup>+0.25</sup> / <sub>+0.00</sub>	32.00 <sup>-0.025</sup> / <sub>-0.087</sub>	40.00 ±0.08	8.84
MRTU-32X42X6	32	42	6	7.00 <sup>+0.25</sup> / <sub>+0.00</sub>	32.00 <sup>-0.025</sup> / <sub>-0.087</sub>	42.00 ±0.08	10.37
MRTU-32X42X7.3	32	42	7.3	8.00 <sup>+0.25</sup> / <sub>+0.00</sub>	32.00 <sup>-0.025</sup> / <sub>-0.087</sub>	42.00 ±0.08	11.28
MRTU-32X40X7.7	32	40	7.7	9.00 <sup>+0.25</sup> / <sub>+0.00</sub>	32.00 <sup>-0.025</sup> / <sub>-0.087</sub>	40.00 ±0.08	10.23
MRTU-32X47X9.1	32	47	9.1	10.00 <sup>+0.25</sup> / <sub>+0.00</sub>	32.00 <sup>-0.025</sup> / <sub>-0.087</sub>	47.00 ±0.08	11.69

## STYLE MRTU ROD U-SEALS



Part Number	A Nom. ID	B Nom. OD	C Nom. Ht	D GROOVE WIDTH	E ROD DIAMETER	G HOUSING DIAMETER	List Price
MRTU-32X42X10	32	42	10	11.00 <sup>+0.25</sup> <sub>+0.00</sub>	32.00 <sup>-0.025</sup> <sub>-0.087</sub>	42.00 ±0.08	11.28
MRTU-32X47X10	32	47	10	11.00 <sup>+0.25</sup> <sub>+0.00</sub>	32.00 <sup>-0.025</sup> <sub>-0.087</sub>	47.00 ±0.08	11.69
MRTU-35X45X6	35	45	6	7.00 <sup>+0.25</sup> <sub>+0.00</sub>	35.00 <sup>-0.025</sup> <sub>-0.087</sub>	45.00 ±0.08	11.07
MRTU-35X45X6-E	35	45	6	7.00 <sup>+0.20</sup> <sub>+0.00</sub>	35.00 <sup>-0.025</sup> <sub>-0.064</sub>	45.00 ±0.05	3.72
MRTU-35X43X6.3	35	43	6.3	7.00 <sup>+0.25</sup> <sub>+0.00</sub>	35.00 <sup>-0.025</sup> <sub>-0.087</sub>	43.00 ±0.08	10.20
MRTU-35X45X7	35	45	7	8.00 <sup>+0.25</sup> <sub>+0.00</sub>	35.00 <sup>-0.025</sup> <sub>-0.087</sub>	45.00 ±0.08	10.73
MRTU-35X45X7.7	35	45	7.7	9.00 <sup>+0.25</sup> <sub>+0.00</sub>	35.00 <sup>-0.025</sup> <sub>-0.087</sub>	45.00 ±0.08	11.02
MRTU-35X43X8.2	35	43	8.2	9.00 <sup>+0.25</sup> <sub>+0.00</sub>	35.00 <sup>-0.025</sup> <sub>-0.087</sub>	43.00 ±0.08	10.20
MRTU-35X50X9	35	50	9	10.00 <sup>+0.25</sup> <sub>+0.00</sub>	35.00 <sup>-0.025</sup> <sub>-0.087</sub>	50.00 ±0.08	12.41
MRTU-35X45X10	35	45	10	11.00 <sup>+0.25</sup> <sub>+0.00</sub>	35.00 <sup>-0.025</sup> <sub>-0.087</sub>	45.00 ±0.08	10.20
MRTU-35X50X10	35	50	10	11.00 <sup>+0.25</sup> <sub>+0.00</sub>	35.00 <sup>-0.025</sup> <sub>-0.087</sub>	50.00 ±0.08	12.08
MRTU-36X44X6.4	36	44	6.4	7.50 <sup>+0.25</sup> <sub>+0.00</sub>	36.00 <sup>-0.025</sup> <sub>-0.087</sub>	44.00 ±0.08	9.66
MRTU-36X46X7	36	46	7.3	8.00 <sup>+0.25</sup> <sub>+0.00</sub>	36.00 <sup>-0.025</sup> <sub>-0.087</sub>	46.00 ±0.08	10.12
MRTU-36X44X8	36	44	8.2	9.00 <sup>+0.25</sup> <sub>+0.00</sub>	36.00 <sup>-0.025</sup> <sub>-0.087</sub>	44.00 ±0.08	10.35
MRTU-36X46X10	36	46	10	11.00 <sup>+0.25</sup> <sub>+0.00</sub>	36.00 <sup>-0.025</sup> <sub>-0.087</sub>	46.00 ±0.08	11.28
MRTU-38X48X8	38	48	8	9.00 <sup>+0.25</sup> <sub>+0.00</sub>	38.00 <sup>-0.025</sup> <sub>-0.087</sub>	48.00 ±0.08	5.51
MRTU-40X48X5.8-E	40	48	5.8	6.30 <sup>+0.20</sup> <sub>+0.00</sub>	40.00 <sup>-0.025</sup> <sub>-0.064</sub>	48.00 ±0.05	14.24
MRTU-40X50X6	40	50	6	7.00 <sup>+0.25</sup> <sub>+0.00</sub>	40.00 <sup>-0.025</sup> <sub>-0.087</sub>	50.00 ±0.08	10.95
MRTU-40X50X7	40	50	7.3	8.00 <sup>+0.25</sup> <sub>+0.00</sub>	40.00 <sup>-0.025</sup> <sub>-0.087</sub>	50.00 ±0.08	14.02
MRTU-40X50X8	40	50	8	9.00 <sup>+0.25</sup> <sub>+0.00</sub>	40.00 <sup>-0.025</sup> <sub>-0.064</sub>	50.00 <sup>+0.062</sup> <sub>+0.000</sub>	19.91
MRTU-40X48X8.2	40	48	8.2	9.00 <sup>+0.25</sup> <sub>+0.00</sub>	40.00 <sup>-0.025</sup> <sub>-0.087</sub>	48.00 ±0.08	11.28
MRTU-40X55X9	40	55	9	10.00 <sup>+0.25</sup> <sub>+0.00</sub>	40.00 <sup>-0.025</sup> <sub>-0.087</sub>	55.00 ±0.095	11.03
MRTU-40X50X10	40	50	10	11.00 <sup>+0.25</sup> <sub>+0.00</sub>	40.00 <sup>-0.025</sup> <sub>-0.087</sub>	50.00 ±0.08	15.91
MRTU-40X55X10	40	55	10	11.00 <sup>+0.25</sup> <sub>+0.00</sub>	40.00 <sup>-0.025</sup> <sub>-0.087</sub>	55.00 ±0.095	13.75
MRTU-42X50X5.7	42	50	5.7	6.30 <sup>+0.25</sup> <sub>+0.00</sub>	42.00 <sup>-0.025</sup> <sub>-0.087</sub>	50.00 ±0.08	10.66
MRTU-42X50X7.5	42	50	7.5	8.00 <sup>+0.25</sup> <sub>+0.00</sub>	42.00 <sup>-0.025</sup> <sub>-0.087</sub>	50.00 ±0.08	10.01
MRTU-42X52X10	42	52	10	11.00 <sup>+0.25</sup> <sub>+0.00</sub>	42.00 <sup>-0.025</sup> <sub>-0.087</sub>	52.00 ±0.095	10.37
MRTU-45X55X6	45	55	6	7.00 <sup>+0.25</sup> <sub>+0.00</sub>	45.00 <sup>-0.025</sup> <sub>-0.087</sub>	55.00 ±0.095	11.32
MRTU-45X55X7-E	45	55	7	8.00 <sup>+0.25</sup> <sub>+0.00</sub>	45.00 <sup>-0.025</sup> <sub>-0.087</sub>	55.00 ±0.095	10.35
MRTU-45X55X7.3	45	55	7.3	8.00 <sup>+0.25</sup> <sub>+0.00</sub>	45.00 <sup>-0.025</sup> <sub>-0.087</sub>	55.00 ±0.095	11.28





## STYLE MRTU ROD U-SEALS

Part Number	A Nom. ID	B Nom. OD	C Nom. Ht	D GROOVE WIDTH	E ROD DIAMETER	G HOUSING DIAMETER	List Price
MRTU-45X53X8.1	45	53	8.1	9.00 <sup>+0.25</sup> / <sub>+0.00</sub>	45.00 <sup>-0.025</sup> / <sub>-0.087</sub>	53.00 ±0.095	11.28
MRTU-45X55X10	45	55	10	11.00 <sup>+0.25</sup> / <sub>+0.00</sub>	45.00 <sup>-0.025</sup> / <sub>-0.087</sub>	55.00 ±0.095	15.75
MRTU-45X60X10	45	60	10	11.00 <sup>+0.25</sup> / <sub>+0.00</sub>	45.00 <sup>-0.025</sup> / <sub>-0.087</sub>	60.00 ±0.095	12.51
MRTU-45X65X10	45	65	10	11.00 <sup>+0.25</sup> / <sub>+0.00</sub>	45.00 <sup>-0.025</sup> / <sub>-0.087</sub>	65.00 ±0.095	21.36
MRTU-48X60X10	48	60	10	11.00 <sup>+0.25</sup> / <sub>+0.00</sub>	48.00 <sup>-0.025</sup> / <sub>-0.087</sub>	60.00 ±0.095	11.10
MRTU-48X56X12-E	48	56	12	13.00 <sup>+0.20</sup> / <sub>+0.00</sub>	48.00 <sup>-0.025</sup> / <sub>-0.064</sub>	56.00 ±0.06	15.02
MRTU-50X59.58X5.8	50	59.6	5.8	8.85 <sup>+0.38</sup> / <sub>+0.00</sub>	50.00 <sup>-0.02</sup> / <sub>-0.09</sub>	59.58 <sup>+0.05</sup> / <sub>+0.00</sub>	11.27
MRTU-50X60X6	50	60	6	7.00 <sup>+0.25</sup> / <sub>+0.00</sub>	50.00 <sup>-0.025</sup> / <sub>-0.087</sub>	60.00 ±0.095	11.70
MRTU-50X60X7.3	50	60	7.3	8.00 <sup>+0.25</sup> / <sub>+0.00</sub>	50.00 <sup>-0.025</sup> / <sub>-0.087</sub>	60.00 ±0.095	14.96
MRTU-50X65X9	50	65	9	10.00 <sup>+0.25</sup> / <sub>+0.00</sub>	50.00 <sup>-0.025</sup> / <sub>-0.087</sub>	65.00 ±0.095	11.32
MRTU-50X65X9.5	50	65	9.5	10.50 <sup>+0.25</sup> / <sub>+0.00</sub>	50.00 <sup>-0.025</sup> / <sub>-0.087</sub>	65.00 ±0.095	15.31
MRTU-50X60X10	50	60	10	11.00 <sup>+0.25</sup> / <sub>+0.00</sub>	50.00 <sup>-0.025</sup> / <sub>-0.087</sub>	60.00 ±0.095	16.70
MRTU-50X63X10	50	63	10	11.00 <sup>+0.25</sup> / <sub>+0.00</sub>	50.00 <sup>-0.025</sup> / <sub>-0.087</sub>	63.00 ±0.095	12.68
MRTU-50X65X10	50	65	10	11.00 <sup>+0.25</sup> / <sub>+0.00</sub>	50.00 <sup>-0.025</sup> / <sub>-0.087</sub>	65.00 ±0.095	12.80
MRTU-50X65X11	50	65	10.9	12.00 <sup>+0.25</sup> / <sub>+0.00</sub>	50.00 <sup>-0.025</sup> / <sub>-0.087</sub>	65.00 ±0.095	18.72
MRTU-50X60X11.8	50	60	11.8	13.00 <sup>+0.25</sup> / <sub>+0.00</sub>	50.00 <sup>-0.025</sup> / <sub>-0.087</sub>	60.00 ±0.095	12.08
MRTU-50X70X12	50	70	12	13.00 <sup>+0.25</sup> / <sub>+0.00</sub>	50.00 <sup>-0.025</sup> / <sub>-0.087</sub>	70.00 ±0.095	15.17
MRTU-50X65X14.5	50	65	14.5	16.00 <sup>+0.25</sup> / <sub>+0.00</sub>	50.00 <sup>-0.025</sup> / <sub>-0.087</sub>	65.00 ±0.095	12.18
MRTU-55X65X6	55	65	6	7.00 <sup>+0.25</sup> / <sub>+0.00</sub>	55.00 <sup>-0.030</sup> / <sub>-0.104</sub>	65.00 ±0.095	12.05
MRTU-55X70X9	55	70	9	10.00 <sup>+0.25</sup> / <sub>+0.00</sub>	55.00 <sup>-0.030</sup> / <sub>-0.104</sub>	70.00 ±0.095	12.92
MRTU-55X65X10	55	65	10	11.00 <sup>+0.25</sup> / <sub>+0.00</sub>	55.00 <sup>-0.030</sup> / <sub>-0.104</sub>	65.00 ±0.095	12.08
MRTU-55X68X10	55	68	10	11.00 <sup>+0.25</sup> / <sub>+0.00</sub>	55.00 <sup>-0.030</sup> / <sub>-0.104</sub>	68.00 ±0.095	12.92
MRTU-55X70X11.4-HT	55	70	11.4	12.50 <sup>+0.25</sup> / <sub>+0.00</sub>	55.00 <sup>-0.030</sup> / <sub>-0.104</sub>	70.00 ±0.095	12.59
MRTU-55X65X11.8	55	65	11.8	13.00 <sup>+0.25</sup> / <sub>+0.00</sub>	55.00 <sup>-0.030</sup> / <sub>-0.104</sub>	65.00 ±0.095	11.10
MRTU-55X70X11.8	55	70	11.8	13.00 <sup>+0.25</sup> / <sub>+0.00</sub>	55.00 <sup>-0.030</sup> / <sub>-0.104</sub>	70.00 ±0.095	15.71
MRTU-55X75X12	55	75	12	13.00 <sup>+0.25</sup> / <sub>+0.00</sub>	55.00 <sup>-0.030</sup> / <sub>-0.104</sub>	75.00 ±0.095	17.09
MRTU-56X66X10	56	66	10	11.00 <sup>+0.25</sup> / <sub>+0.00</sub>	56.00 <sup>-0.030</sup> / <sub>-0.104</sub>	66.00 ±0.095	17.34
MRTU-56X71X10	56	71	10	11.00 <sup>+0.25</sup> / <sub>+0.00</sub>	56.00 <sup>-0.030</sup> / <sub>-0.104</sub>	71.00 ±0.095	14.93
MRTU-56X71X11	56	71	11.4	12.50 <sup>+0.25</sup> / <sub>+0.00</sub>	56.00 <sup>-0.030</sup> / <sub>-0.104</sub>	71.00 ±0.095	20.09
MRTU-60X70X6	60	70	6	7.00 <sup>+0.25</sup> / <sub>+0.00</sub>	60.00 <sup>-0.030</sup> / <sub>-0.104</sub>	70.00 ±0.095	18.55

## STYLE MRTU ROD U-SEALS



Part Number	A Nom. ID	B Nom. OD	C Nom. Ht	D GROOVE WIDTH	E ROD DIAMETER	G HOUSING DIAMETER	List Price
MRTU-60X71X7	60	71	7	8.00 <sup>+0.25</sup> <sub>+0.00</sub>	60.00 <sup>-0.030</sup> <sub>-0.104</sub>	71.00 ±0.095	14.95
MRTU-60X70X7.3	60	70	7.3	8.00 <sup>+0.25</sup> <sub>+0.00</sub>	60.00 <sup>-0.030</sup> <sub>-0.104</sub>	70.00 ±0.095	11.10
MRTU-60X75X9	60	75	9	10.00 <sup>+0.25</sup> <sub>+0.00</sub>	60.00 <sup>-0.030</sup> <sub>-0.104</sub>	75.00 ±0.095	12.92
MRTU-60X70X10	60	70	10	11.00 <sup>+0.25</sup> <sub>+0.00</sub>	60.00 <sup>-0.030</sup> <sub>-0.104</sub>	70.00 ±0.095	19.36
MRTU-60X72X10	60	72	10	11.00 <sup>+0.25</sup> <sub>+0.00</sub>	60.00 <sup>-0.030</sup> <sub>-0.104</sub>	72.00 ±0.095	14.10
MRTU-60X73X10	60	73	10	11.00 <sup>+0.25</sup> <sub>+0.00</sub>	60.00 <sup>-0.030</sup> <sub>-0.104</sub>	73.00 ±0.095	18.88
MRTU-60X75X10	60	75	10	11.00 <sup>+0.25</sup> <sub>+0.00</sub>	60.00 <sup>-0.030</sup> <sub>-0.104</sub>	75.00 ±0.095	20.34
MRTU-60X76X10	60	76	10	11.00 <sup>+0.25</sup> <sub>+0.00</sub>	60.00 <sup>-0.030</sup> <sub>-0.104</sub>	76.00 ±0.095	19.49
MRTU-60X68X11	60	68	11.4	12.50 <sup>+0.25</sup> <sub>+0.00</sub>	60.00 <sup>-0.030</sup> <sub>-0.104</sub>	68.00 ±0.095	17.75
MRTU-60X70X11.8	60	70	11.8	13.00 <sup>+0.25</sup> <sub>+0.00</sub>	60.00 <sup>-0.030</sup> <sub>-0.104</sub>	70.00 ±0.095	14.10
MRTU-60X75X11.8	60	75	11.8	13.00 <sup>+0.25</sup> <sub>+0.00</sub>	60.00 <sup>-0.030</sup> <sub>-0.104</sub>	75.00 ±0.095	21.67
MRTU-60X80X12	60	80	12	13.00 <sup>+0.25</sup> <sub>+0.00</sub>	60.00 <sup>-0.030</sup> <sub>-0.104</sub>	80.00 ±0.095	24.69
MRTU-63X78X10	63	78	10	11.00 <sup>+0.25</sup> <sub>+0.00</sub>	63.00 <sup>-0.030</sup> <sub>-0.104</sub>	78.00 ±0.095	15.71
MRTU-63X78X11.4	63	78	11.4	12.50 <sup>+0.25</sup> <sub>+0.00</sub>	63.00 <sup>-0.030</sup> <sub>-0.104</sub>	78.00 ±0.095	22.75
MRTU-63X73X12	63	73	11.8	13.00 <sup>+0.25</sup> <sub>+0.00</sub>	63.00 <sup>-0.030</sup> <sub>-0.104</sub>	73.00 ±0.095	19.55
MRTU-63X83X12	63	83	12	13.00 <sup>+0.20</sup> <sub>+0.00</sub>	63.00 <sup>-0.030</sup> <sub>-0.076</sub>	83.00 <sup>+0.22</sup> <sub>+0.00</sub>	23.56
MRTU-65X75X7.7	65	75	7.7	9.00 <sup>+0.25</sup> <sub>+0.00</sub>	65.00 <sup>-0.030</sup> <sub>-0.104</sub>	75.00 ±0.095	11.82
MRTU-65X77.75X8-E	65	77.75	8	10.49 <sup>+0.381</sup> <sub>+0.000</sub>	65.00 <sup>-0.030</sup> <sub>-0.104</sub>	77.75 <sup>+0.05</sup> <sub>+0.00</sub>	17.59
MRTU-65X80X9	65	80	9	10.00 <sup>+0.25</sup> <sub>+0.00</sub>	65.00 <sup>-0.030</sup> <sub>-0.104</sub>	80.00 ±0.095	19.12
MRTU-65X78X10	65	78	10	11.00 <sup>+0.25</sup> <sub>+0.00</sub>	65.00 <sup>-0.030</sup> <sub>-0.104</sub>	78.00 ±0.095	19.42
MRTU-65X75X11.8	65	75	11.8	13.00 <sup>+0.25</sup> <sub>+0.00</sub>	65.00 <sup>-0.030</sup> <sub>-0.104</sub>	75.00 ±0.095	13.72
MRTU-65X80X11.8	65	80	11.8	13.00 <sup>+0.25</sup> <sub>+0.00</sub>	65.00 <sup>-0.030</sup> <sub>-0.104</sub>	80.00 ±0.095	19.60
MRTU-65X85X12	65	85	12	13.00 <sup>+0.25</sup> <sub>+0.00</sub>	65.00 <sup>-0.030</sup> <sub>-0.104</sub>	85.00 ±0.11	22.11
MRTU-70X80X6	70	80	6	7.00 <sup>+0.25</sup> <sub>+0.00</sub>	70.00 <sup>-0.030</sup> <sub>-0.104</sub>	80.00 ±0.095	13.17
MRTU-70X85X9	70	85	9	10.00 <sup>+0.25</sup> <sub>+0.00</sub>	70.00 <sup>-0.030</sup> <sub>-0.104</sub>	85.00 ±0.11	13.83
MRTU-70X83X10	70	83	10	11.00 <sup>+0.25</sup> <sub>+0.00</sub>	70.00 <sup>-0.030</sup> <sub>-0.104</sub>	83.00 ±0.11	15.56
MRTU-70X85X10	70	85	10	11.00 <sup>+0.25</sup> <sub>+0.00</sub>	70.00 <sup>-0.030</sup> <sub>-0.104</sub>	85.00 ±0.11	17.50
MRTU-70X85X11.5	70	85	11.4	12.50 <sup>+0.25</sup> <sub>+0.00</sub>	70.00 <sup>-0.030</sup> <sub>-0.104</sub>	85.00 ±0.11	17.50
MRTU-70X80X12	70	80	11.8	13.00 <sup>+0.25</sup> <sub>+0.00</sub>	70.00 <sup>-0.030</sup> <sub>-0.104</sub>	80.00 ±0.095	23.05
MRTU-70X90X12	70	90	12	13.00 <sup>+0.25</sup> <sub>+0.00</sub>	70.00 <sup>-0.030</sup> <sub>-0.104</sub>	90.00 ±0.11	22.86



## STYLE MRTU ROD U-SEALS

Part Number	A Nom. ID	B Nom. OD	C Nom. Ht	D GROOVE WIDTH	E ROD DIAMETER	G HOUSING DIAMETER	List Price
MRTU-75X85X6	75	85	6	7.00 <sup>+0.25</sup> / <sub>+0.00</sub>	75.00 <sup>-0.030</sup> / <sub>-0.104</sub>	85.00 ±0.11	13.53
MRTU-75X90X9	75	90	9	10.00 <sup>+0.25</sup> / <sub>+0.00</sub>	75.00 <sup>-0.030</sup> / <sub>-0.104</sub>	90.00 ±0.11	14.32
MRTU-75X90X9-E	75	90	9	10.00 <sup>+0.25</sup> / <sub>+0.00</sub>	75.00 <sup>-0.030</sup> / <sub>-0.104</sub>	90.00 ±0.11	23.96
MRTU-75X88X10	75	88	10	11.00 <sup>+0.25</sup> / <sub>+0.00</sub>	75.00 <sup>-0.030</sup> / <sub>-0.104</sub>	88.00 ±0.11	17.27
MRTU-75X85X11.8	75	85	11.8	13.00 <sup>+0.25</sup> / <sub>+0.00</sub>	75.00 <sup>-0.030</sup> / <sub>-0.104</sub>	85.00 ±0.11	15.71
MRTU-75X95X12	75	95	12	13.00 <sup>+0.25</sup> / <sub>+0.00</sub>	75.00 <sup>-0.030</sup> / <sub>-0.104</sub>	95.00 ±0.11	24.78
MRTU-80X89.58X5.8	80	89.58	5.8	8.85 <sup>+0.38</sup> / <sub>+0.00</sub>	80.00 <sup>-0.03</sup> / <sub>-0.11</sub>	89.58 <sup>+0.05</sup> / <sub>+0.00</sub>	14.05
MRTU-80X90X6	80	90	6	7.00 <sup>+0.25</sup> / <sub>+0.00</sub>	80.00 <sup>-0.030</sup> / <sub>-0.104</sub>	90.00 ±0.11	13.91
MRTU-80X95X9	80	95	9	10.00 <sup>+0.25</sup> / <sub>+0.00</sub>	80.00 <sup>-0.030</sup> / <sub>-0.104</sub>	95.00 ±0.11	15.56
MRTU-80X90X10	80	90	10	11.00 <sup>+0.25</sup> / <sub>+0.00</sub>	80.00 <sup>-0.030</sup> / <sub>-0.104</sub>	90.00 ±0.11	17.83
MRTU-80X93X10	80	93	10	11.00 <sup>+0.25</sup> / <sub>+0.00</sub>	80.00 <sup>-0.030</sup> / <sub>-0.104</sub>	93.00 ±0.11	20.43
MRTU-80X95X10	80	95	10	11.00 <sup>+0.25</sup> / <sub>+0.00</sub>	80.00 <sup>-0.030</sup> / <sub>-0.104</sub>	95.00 ±0.11	19.60
MRTU-80X90X12	80	90	11.8	13.00 <sup>+0.25</sup> / <sub>+0.00</sub>	80.00 <sup>-0.030</sup> / <sub>-0.104</sub>	90.00 ±0.11	23.90
MRTU-80X95X12	80	95	11.8	13.00 <sup>+0.25</sup> / <sub>+0.00</sub>	80.00 <sup>-0.030</sup> / <sub>-0.104</sub>	95.00 ±0.11	30.65
MRTU-80X100X12	80	100	12	13.00 <sup>+0.25</sup> / <sub>+0.00</sub>	80.00 <sup>-0.030</sup> / <sub>-0.104</sub>	100.00 ±0.11	30.19
MRTU-80X100X14.5	80	100	14.5	16.00 <sup>+0.25</sup> / <sub>+0.00</sub>	80.00 <sup>-0.030</sup> / <sub>-0.104</sub>	100.00 ±0.11	29.79
MRTU-85X100X9	85	100	9	10.00 <sup>+0.25</sup> / <sub>+0.00</sub>	85.00 <sup>-0.036</sup> / <sub>-0.123</sub>	100.00 ±0.11	29.65
MRTU-85X100X10	85	100	10	11.00 <sup>+0.25</sup> / <sub>+0.00</sub>	85.00 <sup>-0.036</sup> / <sub>-0.123</sub>	100.00 ±0.11	23.42
MRTU-85X100X11.8	85	100	11.8	13.00 <sup>+0.25</sup> / <sub>+0.00</sub>	85.00 <sup>-0.036</sup> / <sub>-0.123</sub>	100.00 ±0.11	18.88
MRTU-85X105X12	85	105	12	13.00 <sup>+0.25</sup> / <sub>+0.00</sub>	85.00 <sup>-0.036</sup> / <sub>-0.123</sub>	105.00 ±0.11	28.63
MRTU-90X100X9	90	100	9	10.00 <sup>+0.25</sup> / <sub>+0.00</sub>	90.00 <sup>-0.036</sup> / <sub>-0.123</sub>	100.00 ±0.11	17.85
MRTU-90X105X9	90	105	9	10.00 <sup>+0.25</sup> / <sub>+0.00</sub>	90.00 <sup>-0.036</sup> / <sub>-0.123</sub>	105.00 ±0.11	22.19
MRTU-90X105X10	90	105	10	11.00 <sup>+0.25</sup> / <sub>+0.00</sub>	90.00 <sup>-0.036</sup> / <sub>-0.123</sub>	105.00 ±0.11	21.87
MRTU-90X105X11.4	90	105	11.4	12.50 <sup>+0.25</sup> / <sub>+0.00</sub>	90.00 <sup>-0.036</sup> / <sub>-0.123</sub>	105.00 ±0.11	21.72
MRTU-90X100X11.5-VME	90	100	11.5	12.50 <sup>+0.25</sup> / <sub>+0.00</sub>	90.00 <sup>-0.036</sup> / <sub>-0.071</sub>	100.00 <sup>+0.14</sup> / <sub>+0.00</sub>	21.35
MRTU-90X105X11.5-E	90	105	11.5	12.50 <sup>+0.20</sup> / <sub>+0.00</sub>	90.00 <sup>-0.036</sup> / <sub>-0.090</sub>	105.00 ±0.07	16.49
MRTU-90X110X12	90	110	12	13.00 <sup>+0.25</sup> / <sub>+0.00</sub>	90.00 <sup>-0.036</sup> / <sub>-0.123</sub>	110.00 ±0.11	21.91
MRTU-95X110X9	95	110	9	10.00 <sup>+0.25</sup> / <sub>+0.00</sub>	95.00 <sup>-0.036</sup> / <sub>-0.123</sub>	110.00 ±0.11	26.04
MRTU-95X110X10	95	110	10	11.00 <sup>+0.25</sup> / <sub>+0.00</sub>	95.00 <sup>-0.036</sup> / <sub>-0.123</sub>	110.00 ±0.11	23.68
MRTU-95X115X12	95	115	12	13.00 <sup>+0.25</sup> / <sub>+0.00</sub>	95.00 <sup>-0.036</sup> / <sub>-0.123</sub>	115.00 ±0.11	24.07

## STYLE MRTU ROD U-SEALS



Part Number	A Nom. ID	B Nom. OD	C Nom. Ht	D GROOVE WIDTH	E ROD DIAMETER	G HOUSING DIAMETER	List Price
MRTU-100X115X9	100	115	9	10.00 <sup>+0.25</sup> / <sub>+0.00</sub>	100.00 <sup>-0.036</sup> / <sub>-0.123</sub>	115.00 ±0.11	27.49
MRTU-100X115X10	100	115	10	11.00 <sup>+0.25</sup> / <sub>+0.00</sub>	100.00 <sup>-0.036</sup> / <sub>-0.123</sub>	115.00 ±0.11	24.14
MRTU-100X115X12	100	115	11.8	13.00 <sup>+0.25</sup> / <sub>+0.00</sub>	100.00 <sup>-0.036</sup> / <sub>-0.123</sub>	115.00 ±0.11	27.49
MRTU-100X120X11.8	100	120	11.8	13.00 <sup>+0.25</sup> / <sub>+0.00</sub>	100.00 <sup>-0.036</sup> / <sub>-0.123</sub>	120.00 ±0.11	36.70
MRTU-100X120X14.5	100	120	14.5	16.00 <sup>+0.25</sup> / <sub>+0.00</sub>	100.00 <sup>-0.036</sup> / <sub>-0.123</sub>	120.00 ±0.11	36.70
MRTU-105X120X9	105	120	9	10.00 <sup>+0.25</sup> / <sub>+0.00</sub>	105.00 <sup>-0.036</sup> / <sub>-0.123</sub>	120.00 ±0.11	27.89
MRTU-105X113X10	105	113	10	11.00 <sup>+0.25</sup> / <sub>+0.00</sub>	105.00 <sup>-0.036</sup> / <sub>-0.123</sub>	113.00 ±0.11	22.19
MRTU-105X120X10	105	120	10	11.00 <sup>+0.25</sup> / <sub>+0.00</sub>	105.00 <sup>-0.036</sup> / <sub>-0.123</sub>	120.00 ±0.11	25.27
MRTU-105X115X11.5-VME	105	115	11.5	12.50 <sup>+0.25</sup> / <sub>+0.00</sub>	105.00 <sup>-0.036</sup> / <sub>-0.071</sub>	115.00 <sup>+0.14</sup> / <sub>+0.00</sub>	26.24
MRTU-105X115X13.2	105	115	13.2	14.50 <sup>+0.25</sup> / <sub>+0.00</sub>	105.00 <sup>-0.036</sup> / <sub>-0.123</sub>	115.00 ±0.11	28.24
MRTU-105X113X13.5-E	105	113	13.5	14.50 <sup>+0.20</sup> / <sub>+0.00</sub>	105.00 <sup>-0.036</sup> / <sub>-0.090</sub>	113.00 ±0.07	28.48
MRTU-105X120X14.5	105	120	14.5	16.00 <sup>+0.25</sup> / <sub>+0.00</sub>	105.00 <sup>-0.036</sup> / <sub>-0.123</sub>	120.00 ±0.11	32.46
MRTU-110X125X9	110	125	9	10.00 <sup>+0.25</sup> / <sub>+0.00</sub>	110.00 <sup>-0.036</sup> / <sub>-0.123</sub>	125.00 ±0.125	28.82
MRTU-110X125X11	110	125	11	12.00 <sup>+0.25</sup> / <sub>+0.00</sub>	110.00 <sup>-0.036</sup> / <sub>-0.123</sub>	125.00 ±0.125	33.17
MRTU-110X130X11.8	110	130	11.8	13.00 <sup>+0.25</sup> / <sub>+0.00</sub>	110.00 <sup>-0.036</sup> / <sub>-0.123</sub>	130.00 ±0.125	50.20
MRTU-110X125X14.5	110	125	14.5	16.00 <sup>+0.25</sup> / <sub>+0.00</sub>	110.00 <sup>-0.036</sup> / <sub>-0.123</sub>	125.00 ±0.125	45.35
MRTU-110X130X14.5	110	130	14.5	16.00 <sup>+0.25</sup> / <sub>+0.00</sub>	110.00 <sup>-0.036</sup> / <sub>-0.123</sub>	130.00 ±0.125	50.20
MRTU-115X130X9	115	130	9	10.00 <sup>+0.25</sup> / <sub>+0.00</sub>	115.00 <sup>-0.036</sup> / <sub>-0.123</sub>	130.00 ±0.125	29.76
MRTU-115X130X14.5	115	130	14.5	16.00 <sup>+0.25</sup> / <sub>+0.00</sub>	115.00 <sup>-0.036</sup> / <sub>-0.123</sub>	130.00 ±0.125	42.64
MRTU-120X135X9	120	135	9	10.00 <sup>+0.25</sup> / <sub>+0.00</sub>	120.00 <sup>-0.036</sup> / <sub>-0.123</sub>	135.00 ±0.125	36.80
MRTU-120X130X11.5-VME	120	130	11.5	12.50 <sup>+0.25</sup> / <sub>+0.00</sub>	120.00 <sup>-0.036</sup> / <sub>-0.071</sub>	130.00 <sup>+0.16</sup> / <sub>+0.00</sub>	31.09
MRTU-120X140X12	120	140	12	13.00 <sup>+0.25</sup> / <sub>+0.00</sub>	120.00 <sup>-0.036</sup> / <sub>-0.123</sub>	140.00 ±0.125	42.08
MRTU-120X135X15	120	135	15	16.00 <sup>+0.20</sup> / <sub>+0.00</sub>	120.00 <sup>-0.036</sup> / <sub>-0.090</sub>	135.00 <sup>+0.25</sup> / <sub>+0.00</sub>	55.22
MRTU-125X145X12	125	145	12	13.00 <sup>+0.25</sup> / <sub>+0.00</sub>	125.00 <sup>-0.043</sup> / <sub>-0.143</sub>	145.00 ±0.125	44.01
MRTU-125X145X14.5	125	145	14.5	16.00 <sup>+0.25</sup> / <sub>+0.00</sub>	125.00 <sup>-0.043</sup> / <sub>-0.143</sub>	145.00 ±0.125	54.70
MRTU-130X145X9	130	145	9	10.00 <sup>+0.25</sup> / <sub>+0.00</sub>	130.00 <sup>-0.043</sup> / <sub>-0.143</sub>	145.00 ±0.125	42.14
MRTU-130X145X10	130	145	10	11.00 <sup>+0.25</sup> / <sub>+0.00</sub>	130.00 <sup>-0.043</sup> / <sub>-0.106</sub>	145.00 <sup>+0.10</sup> / <sub>+0.00</sub>	29.08
MRTU-130X150X12	130	150	12	13.00 <sup>+0.25</sup> / <sub>+0.00</sub>	130.00 <sup>-0.043</sup> / <sub>-0.143</sub>	150.00 ±0.125	45.93
MRTU-130X140X14.5	130	140	14.5	16.00 <sup>+0.25</sup> / <sub>+0.00</sub>	130.00 <sup>-0.043</sup> / <sub>-0.143</sub>	140.00 ±0.125	48.05
MRTU-130X150X14.5	130	150	14.5	16.00 <sup>+0.25</sup> / <sub>+0.00</sub>	130.00 <sup>-0.043</sup> / <sub>-0.143</sub>	150.00 ±0.125	57.32



## STYLE MRTU ROD U-SEALS

Part Number	A Nom. ID	B Nom. OD	C Nom. Ht	D GROOVE WIDTH	E ROD DIAMETER	G HOUSING DIAMETER	List Price
MRTU-140X155X9	140	155	9	10.00 <sup>+0.25</sup> / <sub>+0.00</sub>	140.00 <sup>-0.043</sup> / <sub>-0.143</sub>	155.00 ±0.125	42.14
MRTU-140X150X10.9	140	150	10.9	12.00 <sup>+0.25</sup> / <sub>+0.00</sub>	140.00 <sup>-0.043</sup> / <sub>-0.143</sub>	150.00 ±0.125	58.56
MRTU-140X160X11.8	140	160	11.8	13.00 <sup>+0.25</sup> / <sub>+0.00</sub>	140.00 <sup>-0.043</sup> / <sub>-0.143</sub>	160.00 ±0.125	60.75
MRTU-140X160X14.5	140	160	14.5	16.00 <sup>+0.25</sup> / <sub>+0.00</sub>	140.00 <sup>-0.043</sup> / <sub>-0.143</sub>	160.00 ±0.125	60.75
MRTU-150X160X11	150	160	11	12.00 <sup>+0.25</sup> / <sub>+0.00</sub>	150.00 <sup>-0.043</sup> / <sub>-0.143</sub>	160.00 ±0.125	44.87
MRTU-150X170X13	150	170	13.2	14.50 <sup>+0.25</sup> / <sub>+0.00</sub>	150.00 <sup>-0.043</sup> / <sub>-0.143</sub>	170.00 ±0.125	66.61
MRTU-155X170X14.5	155	170	14.5	16.00 <sup>+0.25</sup> / <sub>+0.00</sub>	155.00 <sup>-0.043</sup> / <sub>-0.143</sub>	170.00 ±0.125	52.77
MRTU-160X175X9	160	175	9	10.00 <sup>+0.25</sup> / <sub>+0.00</sub>	160.00 <sup>-0.043</sup> / <sub>-0.143</sub>	175.00 ±0.125	53.80
MRTU-160X170X11.5-VME	160	170	11.5	12.50 <sup>+0.25</sup> / <sub>+0.00</sub>	160.00 <sup>-0.043</sup> / <sub>-0.083</sub>	170.00 <sup>+0.16</sup> / <sub>+0.00</sub>	61.29
MRTU-160X180X14.5	160	180	14.5	16.00 <sup>+0.25</sup> / <sub>+0.00</sub>	160.00 <sup>-0.043</sup> / <sub>-0.143</sub>	180.00 ±0.125	70.13
MRTU-177.7X195X9.5	177.7	195	9.5	10.50 <sup>+0.25</sup> / <sub>+0.00</sub>	177.70 <sup>-0.043</sup> / <sub>-0.143</sub>	195.00 ±0.145	72.07
MRTU-228.5X246X9	228.5	246	9	10.00 <sup>+0.25</sup> / <sub>+0.00</sub>	228.50 <sup>-0.050</sup> / <sub>-0.096</sub>	246.00 <sup>+0.185</sup> / <sub>+0.000</sub>	360.55

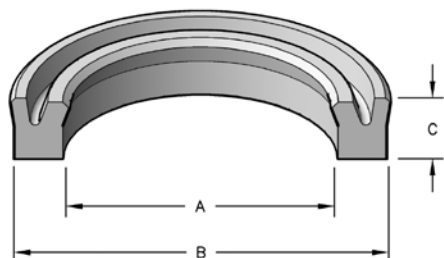
## BELOW SIZES ARE MADE TO ORDER

Part Number	List Price	Part Number	List Price	Part Number	List Price
MRTU-16X26X7.3-E	\$ 9.38	MRTU-78X88X12-E	\$ 11.66	MRTU-140X160X11.6-E	\$ 20.83
MRTU-16X27X8-E	9.38	MRTU-89X97X11.5-E	12.37	MRTU-145X160X12-E	22.24
MRTU-16X29X8-E	9.38	MRTU-100X108X11.5B-E	13.07	MRTU-155X163X11.5-E	22.95
MRTU-17X23X4-E	9.38	MRTU-110X125X9.8-E	13.78	MRTU-160X168X11.5-E	23.66
MRTU-31.75X41.27X4.74-E	9.54	MRTU-115X125X13B-E	14.48	MRTU-160X190X18-E	24.36
MRTU-32X40X8-E	9.54	MRTU-120X128X11.5-E	15.19	MRTU-171X179X11.5-E	25.77
MRTU-37X45X5.8-E	9.54	MRTU-128X136X11.5-E	15.89	MRTU-180X188X11.5B-E	26.48
MRTU-40X55.5X6-E	9.54	MRTU-130X138X11.5-E	16.60	MRTU-180X188X13.5-E	27.18
MRTU-41.28X50.8X9.52-E	9.54	MRTU-130X138X12.5B-E	17.30	MRTU-180X195X12.5-E	27.89
MRTU-63X78.5X5.9-E	9.38	MRTU-130X146X9B-E	18.01	MRTU-202X212X13B-E	29.30
MRTU-63.5X79.3X12.7-E	9.54	MRTU-132X142X8.8-E	18.72	MRTU-212X220X13.5-E	30.01
MRTU-78X86X13.5-E	10.25	MRTU-135X143.7X8-E	19.42		
MRTU-78X86X13B-E	10.95	MRTU-135X145X8-E	20.13		

# STYLE MRU ROD U-SEALS



Molded in a tough urethane, this rod u-seal fits tightly in the groove while providing increased radial force on the rod.

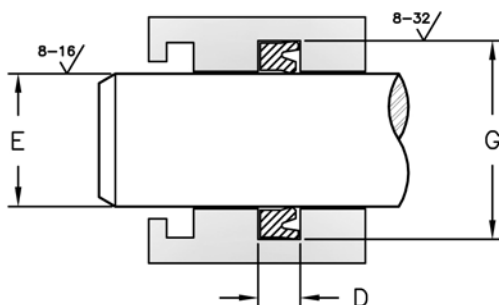


**PART NUMBERS**

**MRU - 6 x 14 x 5.7-E**  
 Type of Seal    Inside Diameter    Outside Diameter    Height

NOTE: E = European Size  
 ME = Merkel Equivalent  
 GT = Green Tweed Equivalent  
 A = Alternative Supplier

SEAL INFORMATION	
MATERIAL	URETHANE
TEMPERATURE RANGE	-65° TO +230° F E: -22° TO +212° F
PRESSURE RANGE	0 TO 5,000 PSI
SPEED	3 FT/SEC



Part Number	A Nom. ID	B Nom. OD	C Nom. Ht	D GROOVE WIDTH	E ROD DIAMETER	G HOUSING DIAMETER	List Price
MRU-6X14X5.7-E	6	14	5.7	6.50 +0.30 +0.00	6.00 -0.010 -0.028	14.00 +0.07 +0.00	\$4.06
MRU-12X20X5.7-E	12	20	5.7	6.50 +0.30 +0.00	12.00 -0.016 -0.043	20.00 +0.084 +0.000	4.48
MRU-14X22X5.7-ME	14	22	5.7	6.50 +0.30 +0.00	14.00 -0.016 -0.043	22.00 +0.13 +0.00	7.13
MRU-15X25X10	15	25	10	11.00 +0.30 +0.00	15.00 -0.016 -0.043	25.00 +0.084 +0.000	8.18
MRU-16X24X5.7-ME	16	24	5.7	6.50 +0.30 +0.00	16.00 -0.016 -0.043	24.00 +0.13 +0.00	7.13
MRU-18X24X4.5-E	18	24	4.5	5.00 +0.30 +0.00	18.00 -0.016 -0.043	24.00 +0.084 +0.000	4.34
MRU-18X26X5.7-E	18	26	5.7	6.50 +0.30 +0.00	18.00 -0.016 -0.043	26.00 +0.084 +0.000	5.13
MRU-18X28X8-E	18	28	8	9.00 +0.30 +0.00	18.00 -0.016 -0.043	28.00 +0.084 +0.000	5.40
MRU-20X28X5.7	20	28	5.7	6.50 +0.30 +0.00	20.00 -0.020 -0.053	28.00 +0.084 +0.000	12.45
MRU-20X28X5.7-ME	20	28	5.7	6.30 +0.20 +0.00	20.00 -0.020 -0.053	28.00 +0.13 +0.00	5.94
MRU-20X30X8	20	30	8	9.00 +0.30 +0.00	20.00 -0.020 -0.053	30.00 +0.084 +0.000	8.73
MRU-20X35X10-E	20	35	10	11.00 +0.30 +0.00	20.00 -0.020 -0.053	35.00 +0.10 +0.00	5.40
MRU-22X30X5.7-E	22	30	5.7	6.50 +0.30 +0.00	22.00 -0.020 -0.053	30.00 +0.084 +0.000	5.40
MRU-22X30X5.7-ME	22	30	5.7	6.30 +0.20 +0.00	22.00 -0.020 -0.053	30.00 +0.13 +0.00	5.94
MRU-25X35X5	25	35	5	5.70 +0.30 +0.00	25.00 -0.020 -0.053	35.00 +0.10 +0.00	10.54

## STYLE MRU ROD U-SEALS

Part Number	A Nom. ID	B Nom. OD	C Nom. Ht	D GROOVE WIDTH	E ROD DIAMETER	G HOUSING DIAMETER	List Price
MRU-25X33X5.7	25	33	5.7	6.50 <small>+0.30 +0.00</small>	25.00 <small>-0.020 -0.053</small>	33.00 <small>+0.10 +0.00</small>	10.07
MRU-25X33X5.7-ME	25	33	5.7	6.30 <small>+0.20 +0.00</small>	25.00 <small>-0.020 -0.053</small>	33.00 <small>+0.16 +0.00</small>	6.66
MRU-25X35X6	25	35	6	6.50 <small>+0.30 +0.00</small>	25.00 <small>-0.020 -0.053</small>	35.00 <small>+0.10 +0.00</small>	9.87
MRU-25X33X6.3-E	25	33	6.3	7.00 <small>+0.30 +0.00</small>	25.00 <small>-0.020 -0.053</small>	33.00 <small>+0.10 +0.00</small>	5.40
MRU-25X35X7.2-E	25	35	7.2	8.00 <small>+0.30 +0.00</small>	25.00 <small>-0.020 -0.053</small>	35.00 <small>+0.10 +0.00</small>	5.81
MRU-25X35X8	25	35	8	9.00 <small>+0.30 +0.00</small>	25.00 <small>-0.020 -0.053</small>	35.00 <small>+0.10 +0.00</small>	8.73
MRU-25X33X10-E	25	33	10	11.00 <small>+0.30 +0.00</small>	25.00 <small>-0.020 -0.053</small>	33.00 <small>+0.10 +0.00</small>	5.40
MRU-25X35X10-E	25	35	10	11.00 <small>+0.30 +0.00</small>	25.00 <small>-0.020 -0.053</small>	35.00 <small>+0.10 +0.00</small>	5.81
MRU-25X40X10-E	25	40	10	11.00 <small>+0.30 +0.00</small>	25.00 <small>-0.020 -0.053</small>	40.00 <small>+0.10 +0.00</small>	6.35
MRU-28X36X5.7-ME	28	36	5.7	6.30 <small>+0.20 +0.00</small>	28.00 <small>-0.020 -0.053</small>	36.00 <small>+0.16 +0.00</small>	6.97
MRU-28X38X7.3	28	38	7.3	8.00 <small>+0.30 +0.00</small>	28.00 <small>-0.020 -0.053</small>	38.00 <small>+0.10 +0.00</small>	9.57
MRU-30X38X5.7-E	30	38	5.7	6.50 <small>+0.30 +0.00</small>	30.00 <small>-0.020 -0.053</small>	38.00 <small>+0.10 +0.00</small>	5.94
MRU-30X38X5.7-ME	30	38	5.7	6.30 <small>+0.20 +0.00</small>	30.00 <small>-0.020 -0.053</small>	38.00 <small>+0.16 +0.00</small>	6.97
MRU-30X40X6	30	40	6	6.50 <small>+0.30 +0.00</small>	30.00 <small>-0.020 -0.053</small>	40.00 <small>+0.10 +0.00</small>	7.14
MRU-30X40X7	30	40	7	8.00 <small>+0.30 +0.00</small>	30.00 <small>-0.020 -0.053</small>	40.00 <small>+0.10 +0.00</small>	9.11
MRU-30X40X7.3	30	40	7.3	8.00 <small>+0.30 +0.00</small>	30.00 <small>-0.020 -0.053</small>	40.00 <small>+0.10 +0.00</small>	8.66
MRU-30X38X8-E	30	38	8	9.00 <small>+0.30 +0.00</small>	30.00 <small>-0.020 -0.053</small>	38.00 <small>+0.10 +0.00</small>	5.94
MRU-30X40X8	30	40	8	9.00 <small>+0.30 +0.00</small>	30.00 <small>-0.020 -0.053</small>	40.00 <small>+0.10 +0.00</small>	10.53
MRU-30X43X9-E	30	43	9	10.00 <small>+0.30 +0.00</small>	30.00 <small>-0.020 -0.053</small>	43.00 <small>+0.10 +0.00</small>	6.77
MRU-30X46X9	30	46	9	10.00 <small>+0.30 +0.00</small>	30.00 <small>-0.020 -0.053</small>	46.00 <small>+0.10 +0.00</small>	12.40
MRU-30X40X10-E	30	40	10	11.00 <small>+0.30 +0.00</small>	30.00 <small>-0.020 -0.053</small>	40.00 <small>+0.10 +0.00</small>	7.70
MRU-30X40X10-ME	30	40	10	11.00 <small>+0.20 +0.00</small>	30.00 <small>-0.020 -0.053</small>	40.00 <small>+0.16 +0.00</small>	6.97
MRU-30X43X10	30	43	10	11.00 <small>+0.30 +0.00</small>	30.00 <small>-0.020 -0.053</small>	43.00 <small>+0.10 +0.00</small>	9.11
MRU-32X40X5.7-ME	32	40	5.7	6.30 <small>+0.20 +0.00</small>	32.00 <small>-0.025 -0.064</small>	40.00 <small>+0.16 +0.00</small>	6.97
MRU-32X42X6	32	42	6	6.50 <small>+0.30 +0.00</small>	32.00 <small>-0.025 -0.064</small>	42.00 <small>+0.10 +0.00</small>	14.70
MRU-32X42X7.2-E	32	42	7.2	8.00 <small>+0.30 +0.00</small>	32.00 <small>-0.025 -0.064</small>	42.00 <small>+0.10 +0.00</small>	6.50
MRU-32X42X7.3-ME	32	42	7.3	8.00	32.00	42.00	10.40
MRU-32X40X8-E	32	40	8	9.00 <small>+0.30 +0.00</small>	32.00 <small>-0.025 -0.064</small>	40.00 <small>+0.10 +0.00</small>	6.50
MRU-32X45X9.5-E	32	45	9.5	10.50 <small>+0.30 +0.00</small>	32.00 <small>-0.025 -0.064</small>	45.00 <small>+0.10 +0.00</small>	7.70
MRU-32X47X10-E	32	47	10	11.00 <small>+0.30 +0.00</small>	32.00 <small>-0.025 -0.064</small>	47.00 <small>+0.10 +0.00</small>	7.45
MRU-33X43X10-E	33	43	10	11.00 <small>+0.30 +0.00</small>	33.00 <small>-0.025 -0.064</small>	43.00 <small>+0.10 +0.00</small>	7.83

## STYLE MRU ROD U-SEALS



Part Number	A Nom. ID	B Nom. OD	C Nom. Ht	D GROOVE WIDTH	E ROD DIAMETER	G HOUSING DIAMETER	List Price
MRU-35X43X5.7-E	35	43	5.7	6.50 <small>+0.30 +0.00</small>	35.00 <small>-0.025 -0.064</small>	43.00 <small>+0.10 +0.00</small>	7.83
MRU-35X45X6	35	45	6	6.50 <small>+0.30 +0.00</small>	35.00 <small>-0.025 -0.064</small>	45.00 <small>+0.10 +0.00</small>	10.81
MRU-35X45X6-A	35	45	6	6.50 <small>+0.30 +0.00</small>	35.00 <small>-0.025 -0.064</small>	45.00 <small>+0.10 +0.00</small>	2.20
MRU-35X45X6.3	35	45	6.3	7.00 <small>+0.30 +0.00</small>	35.00 <small>-0.025 -0.064</small>	45.00 <small>+0.10 +0.00</small>	10.81
MRU-35X45X7	35	45	7	8.00 <small>+0.30 +0.00</small>	35.00 <small>-0.025 -0.064</small>	45.00 <small>+0.10 +0.00</small>	7.56
MRU-35X45X7.3	35	45	7.3	8.00 <small>+0.30 +0.00</small>	35.00 <small>-0.025 -0.064</small>	45.00 <small>+0.10 +0.00</small>	16.74
MRU-35X43X8-E	35	43	8	9.00 <small>+0.30 +0.00</small>	35.00 <small>-0.025 -0.064</small>	43.00 <small>+0.10 +0.00</small>	7.83
MRU-35X51X9	35	51	9	10.00 <small>+0.30 +0.00</small>	35.00 <small>-0.025 -0.064</small>	51.00 <small>+0.12 +0.00</small>	11.94
MRU-35X45X10-ME	35	45	10	11.00 <small>+0.20 +0.00</small>	35.00 <small>-0.025 -0.064</small>	45.00 <small>+0.16 +0.00</small>	9.14
MRU-36X44X5.7-ME	36	44	5.7	6.50 <small>+0.30 +0.00</small>	36.00 <small>-0.025 -0.064</small>	44.00 <small>+0.10 +0.00</small>	9.23
MRU-36X46X7-E	36	46	7	8.00 <small>+0.30 +0.00</small>	36.00 <small>-0.025 -0.064</small>	46.00 <small>+0.10 +0.00</small>	7.45
MRU-36X44X8.2-ME	36	44	8.2	9.00 <small>+0.20 +0.00</small>	36.00 <small>-0.025 -0.064</small>	44.00 <small>+0.16 +0.00</small>	7.22
MRU-36X51X10-E	36	51	10	11.00 <small>+0.30 +0.00</small>	36.00 <small>-0.025 -0.064</small>	51.00 <small>+0.12 +0.00</small>	8.27
MRU-40X48X5	40	48	5	5.70 <small>+0.30 +0.00</small>	40.00 <small>-0.025 -0.064</small>	48.00 <small>+0.10 +0.00</small>	17.28
MRU-40X48X5.7-E	40	48	5.7	6.50 <small>+0.30 +0.00</small>	40.00 <small>-0.025 -0.064</small>	48.00 <small>+0.10 +0.00</small>	8.27
MRU-40X48X5.7-ME	40	48	5.7	6.30 <small>+0.20 +0.00</small>	40.00 <small>-0.025 -0.064</small>	48.00 <small>+0.16 +0.00</small>	7.58
MRU-40X48X5.8-E	40	48	5.8	6.80 <small>+0.20 +0.00</small>	40.00 <small>-0.025 -0.064</small>	48.00 <small>+0.16 +0.00</small>	3.16
MRU-40X50X6	40	50	6	6.50 <small>+0.30 +0.00</small>	40.00 <small>-0.025 -0.064</small>	50.00 <small>+0.10 +0.00</small>	11.84
MRU-40X50X7.3	40	50	7.3	8.00 <small>+0.30 +0.00</small>	40.00 <small>-0.025 -0.064</small>	50.00 <small>+0.10 +0.00</small>	12.53
MRU-40X50X7.3-ME	40	50	7.3	8.00 <small>+0.20 +0.00</small>	40.00 <small>-0.025 -0.064</small>	50.00 <small>+0.16 +0.00</small>	7.58
MRU-40X52X8-E	40	52	8	9.00 <small>+0.30 +0.00</small>	40.00 <small>-0.025 -0.064</small>	52.00 <small>+0.12 +0.00</small>	8.56
MRU-40X55X9	40	55	9	10.00 <small>+0.30 +0.00</small>	40.00 <small>-0.025 -0.064</small>	55.00 <small>+0.12 +0.00</small>	13.21
MRU-40X50X10-ME	40	50	10	11.00 <small>+0.20 +0.00</small>	40.00 <small>-0.025 -0.064</small>	50.00 <small>+0.16 +0.00</small>	7.58
MRU-40X55X10	40	55	10	11.00 <small>+0.30 +0.00</small>	40.00 <small>-0.025 -0.064</small>	55.00 <small>+0.12 +0.00</small>	35.06
MRU-40X56X12	40	56	12	13.00 <small>+0.30 +0.00</small>	40.00 <small>-0.025 -0.064</small>	56.00 <small>+0.12 +0.00</small>	13.42
MRU-40X60X12	40	60	12	13.00 <small>+0.30 +0.00</small>	40.00 <small>-0.025 -0.064</small>	60.00 <small>+0.12 +0.00</small>	15.83
MRU-42X50X5.7-ME	42	50	5.7	6.50 <small>+0.30 +0.00</small>	42.00 <small>-0.025 -0.064</small>	50.00 <small>+0.10 +0.00</small>	9.68
MRU-42X50X6	42	50	6	6.50 <small>+0.30 +0.00</small>	42.00 <small>-0.025 -0.064</small>	50.00 <small>+0.10 +0.00</small>	19.12
MRU-42X52X7.3	42	52	7.3	8.00 <small>+0.30 +0.00</small>	42.00 <small>-0.025 -0.064</small>	52.00 <small>+0.12 +0.00</small>	20.72
MRU-45X53X5.8-E	45	53	5.8	6.50 <small>+0.30 +0.00</small>	45.00 <small>-0.025 -0.064</small>	53.00 <small>+0.12 +0.00</small>	10.52



## STYLE MRU ROD U-SEALS

Part Number	A Nom. ID	B Nom. OD	C Nom. Ht	D GROOVE WIDTH	E ROD DIAMETER	G HOUSING DIAMETER	List Price
MRU-45X55X6	45	55	6	6.50 <sup>+0.30</sup> / <sub>+0.00</sub>	45.00 <sup>-0.025</sup> / <sub>-0.064</sub>	55.00 <sup>+0.12</sup> / <sub>+0.00</sub>	13.97
MRU-45X55X6-A	45	55	6	6.50 <sup>+0.30</sup> / <sub>+0.00</sub>	45.00 <sup>-0.025</sup> / <sub>-0.064</sub>	55.00 <sup>+0.12</sup> / <sub>+0.00</sub>	2.55
MRU-45X55X7.3	45	55	7.3	8.00 <sup>+0.30</sup> / <sub>+0.00</sub>	45.00 <sup>-0.025</sup> / <sub>-0.064</sub>	55.00 <sup>+0.12</sup> / <sub>+0.00</sub>	13.15
MRU-45X55X7.3-ME	45	55	7.3	8.00 <sup>+0.20</sup> / <sub>+0.00</sub>	45.00 <sup>-0.025</sup> / <sub>-0.064</sub>	55.00 <sup>+0.19</sup> / <sub>+0.00</sub>	8.81
MRU-45X55X8	45	55	8	9.00 <sup>+0.30</sup> / <sub>+0.00</sub>	45.00 <sup>-0.025</sup> / <sub>-0.064</sub>	55.00 <sup>+0.12</sup> / <sub>+0.00</sub>	18.79
MRU-45X58X9-E	45	58	9	10.00 <sup>+0.30</sup> / <sub>+0.00</sub>	45.00 <sup>-0.025</sup> / <sub>-0.064</sub>	58.00 <sup>+0.12</sup> / <sub>+0.00</sub>	8.80
MRU-45X60X9	45	60	9	10.00 <sup>+0.30</sup> / <sub>+0.00</sub>	45.00 <sup>-0.025</sup> / <sub>-0.064</sub>	60.00 <sup>+0.12</sup> / <sub>+0.00</sub>	16.65
MRU-45X60X10-E	45	60	10	11.00 <sup>+0.30</sup> / <sub>+0.00</sub>	45.00 <sup>-0.025</sup> / <sub>-0.064</sub>	60.00 <sup>+0.12</sup> / <sub>+0.00</sub>	8.80
MRU-45X60X11.5-E	45	60	11.5	12.50 <sup>+0.30</sup> / <sub>+0.00</sub>	45.00 <sup>-0.025</sup> / <sub>-0.064</sub>	60.00 <sup>+0.12</sup> / <sub>+0.00</sub>	9.88
MRU-45X65X12	45	65	12	13.00 <sup>+0.30</sup> / <sub>+0.00</sub>	45.00 <sup>-0.025</sup> / <sub>-0.064</sub>	65.00 <sup>+0.12</sup> / <sub>+0.00</sub>	12.10
MRU-50X60X7.3	50	60	7.3	8.00 <sup>+0.30</sup> / <sub>+0.00</sub>	50.00 <sup>-0.025</sup> / <sub>-0.064</sub>	60.00 <sup>+0.12</sup> / <sub>+0.00</sub>	12.92
MRU-50X60X7.3-ME	50	60	7.3	8.00 <sup>+0.20</sup> / <sub>+0.00</sub>	50.00 <sup>-0.025</sup> / <sub>-0.064</sub>	60.00 <sup>+0.19</sup> / <sub>+0.00</sub>	9.63
MRU-50X63X8	50	63	8	9.00 <sup>+0.30</sup> / <sub>+0.00</sub>	50.00 <sup>-0.025</sup> / <sub>-0.064</sub>	63.00 <sup>+0.12</sup> / <sub>+0.00</sub>	16.25
MRU-50X58X8.2-ME	50	58	8.2	9.00 <sup>+0.30</sup> / <sub>+0.00</sub>	50.00 <sup>-0.025</sup> / <sub>-0.064</sub>	58.00 <sup>+0.12</sup> / <sub>+0.00</sub>	12.31
MRU-50X65X9	50	65	9	10.00 <sup>+0.30</sup> / <sub>+0.00</sub>	50.00 <sup>-0.025</sup> / <sub>-0.064</sub>	65.00 <sup>+0.12</sup> / <sub>+0.00</sub>	20.16
MRU-50X60X10-E	50	60	10	11.00 <sup>+0.30</sup> / <sub>+0.00</sub>	50.00 <sup>-0.025</sup> / <sub>-0.064</sub>	60.00 <sup>+0.12</sup> / <sub>+0.00</sub>	9.88
MRU-50X63X10	50	63	10	11.00 <sup>+0.30</sup> / <sub>+0.00</sub>	50.00 <sup>-0.025</sup> / <sub>-0.064</sub>	63.00 <sup>+0.12</sup> / <sub>+0.00</sub>	16.76
MRU-50X65X10	50	65	10	11.00 <sup>+0.30</sup> / <sub>+0.00</sub>	50.00 <sup>-0.025</sup> / <sub>-0.064</sub>	65.00 <sup>+0.12</sup> / <sub>+0.00</sub>	16.92
MRU-50X65X11.4-ME	50	65	11.4	12.50 <sup>+0.20</sup> / <sub>+0.00</sub>	50.00 <sup>-0.025</sup> / <sub>-0.064</sub>	65.00 <sup>+0.19</sup> / <sub>+0.00</sub>	10.14
MRU-50X65X11.5-E	50	65	11.5	12.50 <sup>+0.30</sup> / <sub>+0.00</sub>	50.00 <sup>-0.025</sup> / <sub>-0.064</sub>	65.00 <sup>+0.12</sup> / <sub>+0.00</sub>	11.69
MRU-50X60X12-E	50	60	12	13.00 <sup>+0.30</sup> / <sub>+0.00</sub>	50.00 <sup>-0.025</sup> / <sub>-0.064</sub>	60.00 <sup>+0.12</sup> / <sub>+0.00</sub>	9.88
MRU-50X66X12	50	66	12	13.00 <sup>+0.30</sup> / <sub>+0.00</sub>	50.00 <sup>-0.025</sup> / <sub>-0.064</sub>	66.00 <sup>+0.12</sup> / <sub>+0.00</sub>	12.95
MRU-50X70X12	50	70	12	13.00 <sup>+0.30</sup> / <sub>+0.00</sub>	50.00 <sup>-0.025</sup> / <sub>-0.064</sub>	70.00 <sup>+0.12</sup> / <sub>+0.00</sub>	17.05
MRU-50X65X15.5-E	50	65	15.5	17.00 <sup>+0.30</sup> / <sub>+0.00</sub>	50.00 <sup>-0.025</sup> / <sub>-0.064</sub>	65.00 <sup>+0.12</sup> / <sub>+0.00</sub>	11.69
MRU-55X65X6-A	55	65	6	6.50 <sup>+0.30</sup> / <sub>+0.00</sub>	55.00 <sup>-0.030</sup> / <sub>-0.076</sub>	65.00 <sup>+0.12</sup> / <sub>+0.00</sub>	2.85
MRU-55X65X7.2-E	55	65	7.2	8.00 <sup>+0.30</sup> / <sub>+0.00</sub>	55.00 <sup>-0.030</sup> / <sub>-0.076</sub>	65.00 <sup>+0.12</sup> / <sub>+0.00</sub>	9.20
MRU-55X65X7.3-ME	55	65	7.3	8.00 <sup>+0.20</sup> / <sub>+0.00</sub>	55.00 <sup>-0.030</sup> / <sub>-0.076</sub>	65.00 <sup>+0.19</sup> / <sub>+0.00</sub>	12.82
MRU-55X70X9	55	70	9	10.00 <sup>+0.30</sup> / <sub>+0.00</sub>	55.00 <sup>-0.030</sup> / <sub>-0.076</sub>	70.00 <sup>+0.12</sup> / <sub>+0.00</sub>	19.27
MRU-55X68X10	55	68	10	11.00 <sup>+0.30</sup> / <sub>+0.00</sub>	55.00 <sup>-0.030</sup> / <sub>-0.076</sub>	68.00 <sup>+0.12</sup> / <sub>+0.00</sub>	20.92
MRU-55X70X10-E	55	70	10	11.00 <sup>+0.30</sup> / <sub>+0.00</sub>	55.00 <sup>-0.030</sup> / <sub>-0.076</sub>	70.00 <sup>+0.12</sup> / <sub>+0.00</sub>	10.14

## STYLE MRU ROD U-SEALS



Part Number	A Nom. ID	B Nom. OD	C Nom. Ht	D GROOVE WIDTH	E ROD DIAMETER	G HOUSING DIAMETER	List Price
MRU-55X71X12	55	71	12	13.00 <sup>+0.30</sup> / <sub>+0.00</sub>	55.00 <sup>-0.030</sup> / <sub>-0.076</sub>	71.00 <sup>+0.12</sup> / <sub>+0.00</sub>	22.46
MRU-55X75X12	55	75	12	13.00 <sup>+0.30</sup> / <sub>+0.00</sub>	55.00 <sup>-0.030</sup> / <sub>-0.076</sub>	75.00 <sup>+0.12</sup> / <sub>+0.00</sub>	17.20
MRU-56X66X7.3	56	66	7.3	8.00 <sup>+0.30</sup> / <sub>+0.00</sub>	56.00 <sup>-0.030</sup> / <sub>-0.076</sub>	66.00 <sup>+0.12</sup> / <sub>+0.00</sub>	14.65
MRU-56X66X7.3-ME	56	66	7.3	8.00 <sup>+0.20</sup> / <sub>+0.00</sub>	56.00 <sup>-0.030</sup> / <sub>-0.076</sub>	66.00 <sup>+0.19</sup> / <sub>+0.00</sub>	13.48
MRU-56X71X9	56	71	9	10.00 <sup>+0.30</sup> / <sub>+0.00</sub>	56.00 <sup>-0.030</sup> / <sub>-0.076</sub>	71.00 <sup>+0.12</sup> / <sub>+0.00</sub>	16.50
MRU-56X66X10-E	56	66	10	11.00 <sup>+0.30</sup> / <sub>+0.00</sub>	56.00 <sup>-0.030</sup> / <sub>-0.076</sub>	66.00 <sup>+0.12</sup> / <sub>+0.00</sub>	9.46
MRU-56X71X10-E	56	71	10	11.00 <sup>+0.30</sup> / <sub>+0.00</sub>	56.00 <sup>-0.030</sup> / <sub>-0.076</sub>	71.00 <sup>+0.12</sup> / <sub>+0.00</sub>	10.14
MRU-60X70X7.3	60	70	7.3	8.00 <sup>+0.30</sup> / <sub>+0.00</sub>	60.00 <sup>-0.030</sup> / <sub>-0.076</sub>	70.00 <sup>+0.12</sup> / <sub>+0.00</sub>	13.12
MRU-60X68X8.2-ME	60	68	8.2	9.00 <sup>+0.20</sup> / <sub>+0.00</sub>	60.00 <sup>-0.030</sup> / <sub>-0.076</sub>	68.00 <sup>+0.19</sup> / <sub>+0.00</sub>	13.48
MRU-60X72X9-E	60	72	9	10.00 <sup>+0.30</sup> / <sub>+0.00</sub>	60.00 <sup>-0.030</sup> / <sub>-0.076</sub>	72.00 <sup>+0.12</sup> / <sub>+0.00</sub>	12.66
MRU-60X75X9	60	75	9	10.00 <sup>+0.30</sup> / <sub>+0.00</sub>	60.00 <sup>-0.030</sup> / <sub>-0.076</sub>	75.00 <sup>+0.12</sup> / <sub>+0.00</sub>	17.54
MRU-60X70X10-ME	60	70	10	11.00 <sup>+0.20</sup> / <sub>+0.00</sub>	60.00 <sup>-0.030</sup> / <sub>-0.076</sub>	70.00 <sup>+0.19</sup> / <sub>+0.00</sub>	13.48
MRU-60X73X10	60	73	10	11.00 <sup>+0.30</sup> / <sub>+0.00</sub>	60.00 <sup>-0.030</sup> / <sub>-0.076</sub>	73.00 <sup>+0.12</sup> / <sub>+0.00</sub>	16.87
MRU-60X76X10	60	76	10	11.00 <sup>+0.30</sup> / <sub>+0.00</sub>	60.00 <sup>-0.030</sup> / <sub>-0.076</sub>	76.00 <sup>+0.12</sup> / <sub>+0.00</sub>	17.95
MRU-60X75X11.4-ME	60	75	11.4	12.50 <sup>+0.20</sup> / <sub>+0.00</sub>	60.00 <sup>-0.030</sup> / <sub>-0.076</sub>	75.00 <sup>+0.19</sup> / <sub>+0.00</sub>	10.64
MRU-60X80X12	60	80	12	13.00 <sup>+0.30</sup> / <sub>+0.00</sub>	60.00 <sup>-0.030</sup> / <sub>-0.076</sub>	80.00 <sup>+0.12</sup> / <sub>+0.00</sub>	18.74
MRU-63X78X10-E	63	78	10	11.00 <sup>+0.30</sup> / <sub>+0.00</sub>	63.00 <sup>-0.030</sup> / <sub>-0.076</sub>	78.00 <sup>+0.12</sup> / <sub>+0.00</sub>	12.16
MRU-63X78X11.4-ME	63	78	11.4	12.50 <sup>+0.20</sup> / <sub>+0.00</sub>	63.00 <sup>-0.030</sup> / <sub>-0.076</sub>	78.00 <sup>+0.19</sup> / <sub>+0.00</sub>	11.60
MRU-63X79X11.5-GT	63	79	11.5	12.50 <sup>+0.30</sup> / <sub>+0.00</sub>	63.00 <sup>-0.030</sup> / <sub>-0.076</sub>	79.00 <sup>+0.12</sup> / <sub>+0.00</sub>	39.32
MRU-63X73X12-E	63	73	12	13.00 <sup>+0.30</sup> / <sub>+0.00</sub>	63.00 <sup>-0.030</sup> / <sub>-0.076</sub>	73.00 <sup>+0.12</sup> / <sub>+0.00</sub>	12.16
MRU-63X83X12	63	83	12	13.00 <sup>+0.30</sup> / <sub>+0.00</sub>	63.00 <sup>-0.030</sup> / <sub>-0.076</sub>	83.00 <sup>+0.14</sup> / <sub>+0.00</sub>	21.17
MRU-65X75X6	65	75	6	6.50 <sup>+0.30</sup> / <sub>+0.00</sub>	65.00 <sup>-0.030</sup> / <sub>-0.076</sub>	75.00 <sup>+0.12</sup> / <sub>+0.00</sub>	14.87
MRU-65X80X9	65	80	9	10.00 <sup>+0.30</sup> / <sub>+0.00</sub>	65.00 <sup>-0.030</sup> / <sub>-0.076</sub>	80.00 <sup>+0.12</sup> / <sub>+0.00</sub>	18.42
MRU-65X78X10	65	78	10	11.00 <sup>+0.30</sup> / <sub>+0.00</sub>	65.00 <sup>-0.030</sup> / <sub>-0.076</sub>	78.00 <sup>+0.12</sup> / <sub>+0.00</sub>	19.60
MRU-65X78X10-A	65	78	10	11.00 <sup>+0.30</sup> / <sub>+0.00</sub>	65.00 <sup>-0.030</sup> / <sub>-0.076</sub>	78.00 <sup>+0.12</sup> / <sub>+0.00</sub>	4.30
MRU-65X80X10-E	65	80	10	11.00 <sup>+0.30</sup> / <sub>+0.00</sub>	65.00 <sup>-0.030</sup> / <sub>-0.076</sub>	80.00 <sup>+0.12</sup> / <sub>+0.00</sub>	11.75
MRU-65X80X11.4-ME	65	80	11.4	12.50 <sup>+0.20</sup> / <sub>+0.00</sub>	65.00 <sup>-0.030</sup> / <sub>-0.076</sub>	80.00 <sup>+0.19</sup> / <sub>+0.00</sub>	13.52
MRU-65X85X12	65	85	12	13.00 <sup>+0.30</sup> / <sub>+0.00</sub>	65.00 <sup>-0.030</sup> / <sub>-0.076</sub>	85.00 <sup>+0.14</sup> / <sub>+0.00</sub>	24.64
MRU-70X80X7-E	70	80	7	8.00 <sup>+0.30</sup> / <sub>+0.00</sub>	70.00 <sup>-0.030</sup> / <sub>-0.076</sub>	80.00 <sup>+0.12</sup> / <sub>+0.00</sub>	13.24
MRU-70X85X9	70	85	9	10.00 <sup>+0.30</sup> / <sub>+0.00</sub>	70.00 <sup>-0.030</sup> / <sub>-0.076</sub>	85.00 <sup>+0.14</sup> / <sub>+0.00</sub>	20.92

# STYLE MRU ROD U-SEALS

Part Number	A Nom. ID	B Nom. OD	C Nom. Ht	D GROOVE WIDTH	E ROD DIAMETER	G HOUSING DIAMETER	List Price
MRU-70X83X10	70	83	10	11.00 <sup>+0.30</sup> / <sub>+0.00</sub>	70.00 <sup>-0.030</sup> / <sub>-0.076</sub>	83.00 <sup>+0.14</sup> / <sub>+0.00</sub>	19.27
MRU-70X85X10-E	70	85	10	11.00 <sup>+0.30</sup> / <sub>+0.00</sub>	70.00 <sup>-0.030</sup> / <sub>-0.076</sub>	85.00 <sup>+0.14</sup> / <sub>+0.00</sub>	10.83
MRU-70X85X11.4-ME	70	85	11.4	12.50 <sup>+0.20</sup> / <sub>+0.00</sub>	70.00 <sup>-0.030</sup> / <sub>-0.076</sub>	85.00 <sup>+0.22</sup> / <sub>+0.00</sub>	13.93
MRU-70X85X12-E	70	85	12	13.00 <sup>+0.30</sup> / <sub>+0.00</sub>	70.00 <sup>-0.030</sup> / <sub>-0.076</sub>	85.00 <sup>+0.14</sup> / <sub>+0.00</sub>	10.96
MRU-70X90X12	70	90	12	13.00 <sup>+0.30</sup> / <sub>+0.00</sub>	70.00 <sup>-0.030</sup> / <sub>-0.076</sub>	90.00 <sup>+0.14</sup> / <sub>+0.00</sub>	25.13
MRU-75X85X6-A	75	85	6	6.50 <sup>+0.30</sup> / <sub>+0.00</sub>	75.00 <sup>-0.030</sup> / <sub>-0.076</sub>	85.00 <sup>+0.14</sup> / <sub>+0.00</sub>	3.20
MRU-75X85X6.3	75	85	6.3	7.00 <sup>+0.30</sup> / <sub>+0.00</sub>	75.00 <sup>-0.030</sup> / <sub>-0.076</sub>	85.00 <sup>+0.14</sup> / <sub>+0.00</sub>	30.70
MRU-75X85X7-E	75	85	7	8.00 <sup>+0.30</sup> / <sub>+0.00</sub>	75.00 <sup>-0.030</sup> / <sub>-0.076</sub>	85.00 <sup>+0.14</sup> / <sub>+0.00</sub>	8.98
MRU-75X90X9	75	90	9	10.00 <sup>+0.30</sup> / <sub>+0.00</sub>	75.00 <sup>-0.030</sup> / <sub>-0.076</sub>	90.00 <sup>+0.14</sup> / <sub>+0.00</sub>	23.04
MRU-75X88X10	75	88	10	11.00 <sup>+0.30</sup> / <sub>+0.00</sub>	75.00 <sup>-0.030</sup> / <sub>-0.076</sub>	88.00 <sup>+0.14</sup> / <sub>+0.00</sub>	23.45
MRU-75X90X10-E	75	90	10	11.00 <sup>+0.30</sup> / <sub>+0.00</sub>	75.00 <sup>-0.030</sup> / <sub>-0.076</sub>	90.00 <sup>+0.14</sup> / <sub>+0.00</sub>	10.83
MRU-75X90X11.4-ME	75	90	11.4	12.50 <sup>+0.30</sup> / <sub>+0.00</sub>	75.00 <sup>-0.030</sup> / <sub>-0.076</sub>	90.00 <sup>+0.14</sup> / <sub>+0.00</sub>	26.40
MRU-75X85X12-E	75	85	12	13.00 <sup>+0.30</sup> / <sub>+0.00</sub>	75.00 <sup>-0.030</sup> / <sub>-0.076</sub>	85.00 <sup>+0.14</sup> / <sub>+0.00</sub>	9.33
MRU-75X95X12	75	95	12	13.00 <sup>+0.30</sup> / <sub>+0.00</sub>	75.00 <sup>-0.030</sup> / <sub>-0.076</sub>	95.00 <sup>+0.14</sup> / <sub>+0.00</sub>	25.33
MRU-80X95X9	80	95	9	10.00 <sup>+0.30</sup> / <sub>+0.00</sub>	80.00 <sup>-0.030</sup> / <sub>-0.076</sub>	95.00 <sup>+0.14</sup> / <sub>+0.00</sub>	25.66
MRU-80X93X10	80	93	10	11.00 <sup>+0.30</sup> / <sub>+0.00</sub>	80.00 <sup>-0.030</sup> / <sub>-0.076</sub>	93.00 <sup>+0.14</sup> / <sub>+0.00</sub>	25.66
MRU-80X95X10	80	95	10	11.00 <sup>+0.30</sup> / <sub>+0.00</sub>	80.00 <sup>-0.030</sup> / <sub>-0.076</sub>	95.00 <sup>+0.14</sup> / <sub>+0.00</sub>	26.43
MRU-80X95X11.4-ME	80	95	11.4	12.50 <sup>+0.20</sup> / <sub>+0.00</sub>	80.00 <sup>-0.030</sup> / <sub>-0.076</sub>	95.00 <sup>+0.22</sup> / <sub>+0.00</sub>	15.96
MRU-80X95X11.5-E	80	95	11.5	12.50 <sup>+0.30</sup> / <sub>+0.00</sub>	80.00 <sup>-0.030</sup> / <sub>-0.076</sub>	95.00 <sup>+0.14</sup> / <sub>+0.00</sub>	11.35
MRU-80X100X12	80	100	12	13.00 <sup>+0.30</sup> / <sub>+0.00</sub>	80.00 <sup>-0.030</sup> / <sub>-0.076</sub>	100.00 <sup>+0.14</sup> / <sub>+0.00</sub>	27.86
MRU-85X100X9	85	100	9	10.00 <sup>+0.30</sup> / <sub>+0.00</sub>	85.00 <sup>-0.036</sup> / <sub>-0.090</sub>	100.00 <sup>+0.14</sup> / <sub>+0.00</sub>	27.86
MRU-85X100X10	85	100	10	11.00 <sup>+0.30</sup> / <sub>+0.00</sub>	85.00 <sup>-0.036</sup> / <sub>-0.090</sub>	100.00 <sup>+0.14</sup> / <sub>+0.00</sub>	27.96
MRU-85X100X11.4-ME	85	100	11.4	12.50 <sup>+0.30</sup> / <sub>+0.00</sub>	85.00 <sup>-0.036</sup> / <sub>-0.090</sub>	100.00 <sup>+0.14</sup> / <sub>+0.00</sub>	20.61
MRU-85X105X12	85	105	12	13.00 <sup>+0.30</sup> / <sub>+0.00</sub>	85.00 <sup>-0.036</sup> / <sub>-0.090</sub>	105.00 <sup>+0.14</sup> / <sub>+0.00</sub>	28.84
MRU-90X105X9	90	105	9	10.00 <sup>+0.30</sup> / <sub>+0.00</sub>	90.00 <sup>-0.036</sup> / <sub>-0.090</sub>	105.00 <sup>+0.14</sup> / <sub>+0.00</sub>	29.33
MRU-90X105X10	90	105	10	11.00 <sup>+0.30</sup> / <sub>+0.00</sub>	90.00 <sup>-0.036</sup> / <sub>-0.090</sub>	105.00 <sup>+0.14</sup> / <sub>+0.00</sub>	29.65
MRU-90X105X11.4-ME	90	105	11.4	12.50 <sup>+0.20</sup> / <sub>+0.00</sub>	90.00 <sup>-0.036</sup> / <sub>-0.090</sub>	105.00 <sup>+0.22</sup> / <sub>+0.00</sub>	22.09
MRU-90X105X11.5-E	90	105	11.5	12.50 <sup>+0.30</sup> / <sub>+0.00</sub>	90.00 <sup>-0.036</sup> / <sub>-0.090</sub>	105.00 <sup>+0.14</sup> / <sub>+0.00</sub>	15.97
MRU-90X110X12	90	110	12	13.00 <sup>+0.30</sup> / <sub>+0.00</sub>	90.00 <sup>-0.036</sup> / <sub>-0.090</sub>	110.00 <sup>+0.14</sup> / <sub>+0.00</sub>	26.10
MRU-90X110X15-E	90	110	15	16.50 <sup>+0.30</sup> / <sub>+0.00</sub>	90.00 <sup>-0.036</sup> / <sub>-0.090</sub>	110.00 <sup>+0.14</sup> / <sub>+0.00</sub>	12.70

## STYLE MRU ROD U-SEALS



Part Number	A Nom. ID	B Nom. OD	C Nom. Ht	D GROOVE WIDTH	E ROD DIAMETER	G HOUSING DIAMETER	List Price
MRU-95X110X9	95	110	9	10.00 <sup>+0.30</sup> / <sub>+0.00</sub>	95.00 <sup>-0.036</sup> / <sub>-0.090</sub>	110.00 <sup>+0.14</sup> / <sub>+0.00</sub>	31.03
MRU-95X110X10	95	110	10	11.00 <sup>+0.30</sup> / <sub>+0.00</sub>	95.00 <sup>-0.036</sup> / <sub>-0.090</sub>	110.00 <sup>+0.14</sup> / <sub>+0.00</sub>	31.03
MRU-95X115X12	95	115	12	13.00 <sup>+0.30</sup> / <sub>+0.00</sub>	95.00 <sup>-0.036</sup> / <sub>-0.090</sub>	115.00 <sup>+0.14</sup> / <sub>+0.00</sub>	31.30
MRU-100X115X10	100	115	10	11.00 <sup>+0.30</sup> / <sub>+0.00</sub>	100.00 <sup>-0.036</sup> / <sub>-0.090</sub>	115.00 <sup>+0.14</sup> / <sub>+0.00</sub>	23.72
MRU-100X115X11.4-ME	100	115	11.4	12.50 <sup>+0.20</sup> / <sub>+0.00</sub>	100.00 <sup>-0.036</sup> / <sub>-0.090</sub>	115.00 <sup>+0.22</sup> / <sub>+0.00</sub>	25.47
MRU-100X115X12-E	100	115	12	13.00 <sup>+0.30</sup> / <sub>+0.00</sub>	100.00 <sup>-0.036</sup> / <sub>-0.090</sub>	115.00 <sup>+0.14</sup> / <sub>+0.00</sub>	12.70
MRU-100X120X12	100	120	12	13.00 <sup>+0.30</sup> / <sub>+0.00</sub>	100.00 <sup>-0.036</sup> / <sub>-0.090</sub>	120.00 <sup>+0.14</sup> / <sub>+0.00</sub>	33.93
MRU-100X113X12.5-E	100	113	12.5	14.00 <sup>+0.30</sup> / <sub>+0.00</sub>	100.00 <sup>-0.036</sup> / <sub>-0.090</sub>	113.00 <sup>+0.14</sup> / <sub>+0.00</sub>	21.06
MRU-100X120X15-E	100	120	15	16.50 <sup>+0.30</sup> / <sub>+0.00</sub>	100.00 <sup>-0.036</sup> / <sub>-0.090</sub>	120.00 <sup>+0.14</sup> / <sub>+0.00</sub>	12.85
MRU-105X120X9	105	120	9	10.00 <sup>+0.30</sup> / <sub>+0.00</sub>	105.00 <sup>-0.036</sup> / <sub>-0.090</sub>	120.00 <sup>+0.14</sup> / <sub>+0.00</sub>	38.07
MRU-105X120X10	105	120	10	11.00 <sup>+0.30</sup> / <sub>+0.00</sub>	105.00 <sup>-0.036</sup> / <sub>-0.090</sub>	120.00 <sup>+0.14</sup> / <sub>+0.00</sub>	38.84
MRU-105X125X12	105	125	12	13.00 <sup>+0.30</sup> / <sub>+0.00</sub>	105.00 <sup>-0.036</sup> / <sub>-0.090</sub>	125.00 <sup>+0.16</sup> / <sub>+0.00</sub>	42.16
MRU-105X125X15	105	125	15	16.50 <sup>+0.30</sup> / <sub>+0.00</sub>	105.00 <sup>-0.036</sup> / <sub>-0.090</sub>	125.00 <sup>+0.16</sup> / <sub>+0.00</sub>	40.80
MRU-110X125X9	110	125	9	10.00 <sup>+0.30</sup> / <sub>+0.00</sub>	110.00 <sup>-0.036</sup> / <sub>-0.090</sub>	125.00 <sup>+0.16</sup> / <sub>+0.00</sub>	43.12
MRU-110X125X9-A	110	125	9	10.00 <sup>+0.30</sup> / <sub>+0.00</sub>	110.00 <sup>-0.036</sup> / <sub>-0.090</sub>	125.00 <sup>+0.16</sup> / <sub>+0.00</sub>	7.66
MRU-110X125X10	110	125	10	11.00 <sup>+0.30</sup> / <sub>+0.00</sub>	110.00 <sup>-0.036</sup> / <sub>-0.090</sub>	125.00 <sup>+0.16</sup> / <sub>+0.00</sub>	43.89
MRU-110X130X10	110	130	10	11.00 <sup>+0.30</sup> / <sub>+0.00</sub>	110.00 <sup>-0.036</sup> / <sub>-0.090</sub>	130.00 <sup>+0.16</sup> / <sub>+0.00</sub>	44.72
MRU-110X125X10.9-ME	110	125	10.9	12.00 <sup>+0.20</sup> / <sub>+0.00</sub>	110.00 <sup>-0.036</sup> / <sub>-0.090</sub>	125.00 <sup>+0.25</sup> / <sub>+0.00</sub>	28.96
MRU-110X130X12	110	130	12	13.00 <sup>+0.30</sup> / <sub>+0.00</sub>	110.00 <sup>-0.036</sup> / <sub>-0.090</sub>	130.00 <sup>+0.16</sup> / <sub>+0.00</sub>	47.25
MRU-110X130X13	110	130	13	14.50 <sup>+0.30</sup> / <sub>+0.00</sub>	110.00 <sup>-0.036</sup> / <sub>-0.090</sub>	130.00 <sup>+0.16</sup> / <sub>+0.00</sub>	47.25
MRU-110X130X15	110	130	15	16.50 <sup>+0.30</sup> / <sub>+0.00</sub>	110.00 <sup>-0.036</sup> / <sub>-0.090</sub>	130.00 <sup>+0.16</sup> / <sub>+0.00</sub>	48.96
MRU-112X127X10	112	127	10	11.00 <sup>+0.30</sup> / <sub>+0.00</sub>	112.00 <sup>-0.036</sup> / <sub>-0.090</sub>	127.00 <sup>+0.16</sup> / <sub>+0.00</sub>	74.73
MRU-115X130X9	115	130	9	10.00 <sup>+0.30</sup> / <sub>+0.00</sub>	115.00 <sup>-0.036</sup> / <sub>-0.090</sub>	130.00 <sup>+0.16</sup> / <sub>+0.00</sub>	47.13
MRU-115X130X10	115	130	10	11.00 <sup>+0.30</sup> / <sub>+0.00</sub>	115.00 <sup>-0.036</sup> / <sub>-0.090</sub>	130.00 <sup>+0.16</sup> / <sub>+0.00</sub>	73.56
MRU-115X135X12	115	135	12	13.00 <sup>+0.30</sup> / <sub>+0.00</sub>	115.00 <sup>-0.036</sup> / <sub>-0.090</sub>	135.00 <sup>+0.16</sup> / <sub>+0.00</sub>	45.87
MRU-118X133X9	118	133	9	10.00 <sup>+0.30</sup> / <sub>+0.00</sub>	118.00 <sup>-0.036</sup> / <sub>-0.090</sub>	133.00 <sup>+0.16</sup> / <sub>+0.00</sub>	33.01
MRU-120X135X9	120	135	9	10.00 <sup>+0.30</sup> / <sub>+0.00</sub>	120.00 <sup>-0.036</sup> / <sub>-0.090</sub>	135.00 <sup>+0.16</sup> / <sub>+0.00</sub>	48.24
MRU-120X140X10	120	140	10	11.00 <sup>+0.30</sup> / <sub>+0.00</sub>	120.00 <sup>-0.036</sup> / <sub>-0.090</sub>	140.00 <sup>+0.16</sup> / <sub>+0.00</sub>	53.04
MRU-120X140X12	120	140	12	13.00 <sup>+0.30</sup> / <sub>+0.00</sub>	120.00 <sup>-0.036</sup> / <sub>-0.090</sub>	140.00 <sup>+0.16</sup> / <sub>+0.00</sub>	55.88
MRU-120X140X13	120	140	13	14.50 <sup>+0.30</sup> / <sub>+0.00</sub>	120.00 <sup>-0.036</sup> / <sub>-0.090</sub>	140.00 <sup>+0.16</sup> / <sub>+0.00</sub>	55.88

## STYLE MRU ROD U-SEALS

Part Number	A Nom. ID	B Nom. OD	C Nom. Ht	D GROOVE WIDTH	E ROD DIAMETER	G HOUSING DIAMETER	List Price
MRU-120X140X15	120	140	15	16.50 <small>+0.30 +0.00</small>	120.00 <small>-0.036 -0.090</small>	140.00 <small>+0.16 +0.00</small>	45.38
MRU-125X140X10.9-ME	125	140	10.9	12.00 <small>+0.20 +0.00</small>	125.00 <small>-0.043 -0.106</small>	140.00 <small>+0.25 +0.00</small>	35.16
MRU-125X145X12	125	145	12	13.00 <small>+0.30 +0.00</small>	125.00 <small>-0.043 -0.106</small>	145.00 <small>+0.16 +0.00</small>	52.28
MRU-130X145X9	130	145	9	10.00 <small>+0.30 +0.00</small>	130.00 <small>-0.043 -0.106</small>	145.00 <small>+0.16 +0.00</small>	45.28
MRU-130X150X12	130	150	12	13.00 <small>+0.30 +0.00</small>	130.00 <small>-0.043 -0.106</small>	150.00 <small>+0.16 +0.00</small>	53.33
MRU-130X150X13	130	150	13	14.50 <small>+0.30 +0.00</small>	130.00 <small>-0.043 -0.106</small>	150.00 <small>+0.16 +0.00</small>	58.98
MRU-130X150X16	130	150	16	17.00 <small>+0.30 +0.00</small>	130.00 <small>-0.043 -0.106</small>	150.00 <small>+0.16 +0.00</small>	65.03
MRU-135X150X9-A	135	150	9	10.00 <small>+0.30 +0.00</small>	135.00 <small>-0.043 -0.106</small>	150.00 <small>+0.16 +0.00</small>	7.66
MRU-140X155X9	140	155	9	10.00 <small>+0.30 +0.00</small>	140.00 <small>-0.043 -0.106</small>	155.00 <small>+0.16 +0.00</small>	35.90
MRU-140X160X12	140	160	12	13.00 <small>+0.30 +0.00</small>	140.00 <small>-0.043 -0.106</small>	160.00 <small>+0.16 +0.00</small>	65.52
MRU-140X160X14.6-ME	140	160	14.6	16.00 <small>+0.20 +0.00</small>	140.00 <small>-0.043 -0.106</small>	160.00 <small>+0.25 +0.00</small>	48.81
MRU-145X160X9-A	145	160	9	10.00 <small>+0.30 +0.00</small>	145.00 <small>-0.043 -0.106</small>	160.00 <small>+0.16 +0.00</small>	8.14
MRU-150X170X12	150	170	12	13.00 <small>+0.30 +0.00</small>	150.00 <small>-0.043 -0.106</small>	170.00 <small>+0.16 +0.00</small>	95.69
MRU-150X170X14.6-ME	150	170	14.6	16.00 <small>+0.20 +0.00</small>	150.00 <small>-0.043 -0.106</small>	170.00 <small>+0.25 +0.00</small>	53.31
MRU-150X170X16	150	170	16	17.00 <small>+0.30 +0.00</small>	150.00 <small>-0.043 -0.106</small>	170.00 <small>+0.16 +0.00</small>	76.57
MRU-155X170X9-A	155	170	9	10.00 <small>+0.30 +0.00</small>	155.00 <small>-0.043 -0.106</small>	170.00 <small>+0.16 +0.00</small>	8.70
MRU-155X175X9	155	175	9	10.00 <small>+0.30 +0.00</small>	155.00 <small>-0.043 -0.106</small>	175.00 <small>+0.16 +0.00</small>	212.45
MRU-160X180X12	160	180	12	13.00 <small>+0.30 +0.00</small>	160.00 <small>-0.043 -0.106</small>	180.00 <small>+0.16 +0.00</small>	85.89
MRU-160X180X15	160	180	15	16.00 <small>+0.30 +0.00</small>	160.00 <small>-0.043 -0.106</small>	180.00 <small>+0.16 +0.00</small>	81.87
MRU-160X185X16	160	185	16	17.00 <small>+0.30 +0.00</small>	160.00 <small>-0.043 -0.106</small>	185.00 <small>+0.185 +0.000</small>	81.27
MRU-170X190X12-E	170	190	12	13.00 <small>+0.30 +0.00</small>	170.00 <small>-0.043 -0.106</small>	190.00 <small>+0.185 +0.000</small>	25.23
MRU-170X195X16	170	195	16	17.00 <small>+0.30 +0.00</small>	170.00 <small>-0.043 -0.106</small>	195.00 <small>+0.185 +0.000</small>	129.44
MRU-180X200X14.6-ME	180	200	14.6	16.00 <small>+0.20 +0.00</small>	180.00 <small>-0.043 -0.106</small>	200.00 <small>+0.29 +0.00</small>	66.37
MRU-180X205X16	180	205	16	17.00 <small>+0.30 +0.00</small>	180.00 <small>-0.043 -0.106</small>	205.00 <small>+0.185 +0.000</small>	134.28
MRU-200X225X16	200	225	16	17.00 <small>+0.30 +0.00</small>	200.00 <small>-0.050 -0.122</small>	225.00 <small>+0.185 +0.000</small>	154.00

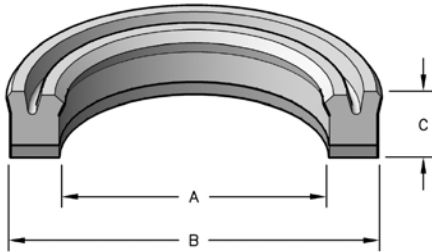
Seal color may vary. Special order sizes are available. Sizes not shown and out of stock items can also be ordered for next day delivery through Seals On Demand, our custom seal program. Please call your regional sales team for assistance.

**BELOW SIZES ARE MADE TO ORDER**

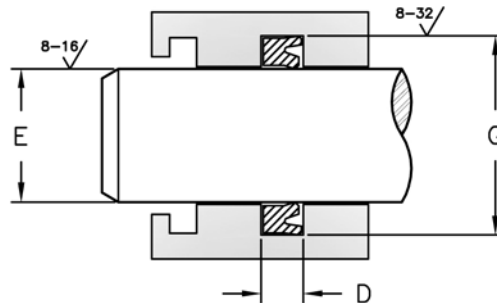

Part Number	List Price	Part Number	List Price	Part Number	List Price
MRU-10X14X4-E	\$ 5.41	MRU-50X62X8-E	\$ 9.11	MRU-114.3X130.18X10-E	\$ 12.80
MRU-14X22X5.7-E	5.63	MRU-50X62.7X9.5-E	9.33	MRU-125X150X14-E	13.24
MRU-20X26X5-E	6.09	MRU-50.8X64.5X10-E	9.54	MRU-128X141X12-E	13.46
MRU-20X30X7.3-E	6.28	MRU-55X64X5-E	9.76	MRU-133.3X146.05X14.73-E	13.67
MRU-22X30X5.5-E	6.50	MRU-56X66X8.2-E	9.98	MRU-145X157X9.2-E	13.89
MRU-25X38X9-E	6.72	MRU-60.3X73.02X10-E	10.19	MRU-150X170X11.5-E	14.11
MRU-28.45X38.1X9.7-E	6.93	MRU-63X83X12-E	10.46	MRU-150X170X12-E	14.32
MRU-36X48X8-E	7.40	MRU-69.85X82.55X10.7-E	10.63	MRU-210X230X13-E	34.30
MRU-38.1X53.97X10-E	7.59	MRU-70X90X12-E	10.85	MRU-220X250X18-E	44.72
MRU-39X49X7-E	7.80	MRU-70X90X13.5-E	11.06	MRU-230X250X12-E	44.58
MRU-40X49.5X10-E	8.02	MRU-76.2X88.98X10-E	11.28	MRU-250X270X15-E	51.53
MRU-40X50X12.5-E	8.24	MRU-82.4X95.92X9.65-E	11.93	MRU-275X305X20-E	53.41
MRU-40X48X11-E	8.46	MRU-95.25X107.95X14.73-E	12.15		
MRU-43X63X10.5-E	8.67	MRU-100X110X14-E	12.37		

# STYLE MRUB ROD U-SEALS W/BACK-UP RINGS

Molded in a tough urethane, this rod u-seal fits tightly in the groove while providing increased radial force on the rod. The employment of a nylon back-up makes it highly extrusion resistant. GT= GREEN TWEED SEAL



**MRUB - 50 x 63 x 13**  
 Type of Seal: MRUB  
 Inside Diameter: 50  
 Outside Diameter: 63  
 Height: 13



## SEAL INFORMATION

MATERIAL	URETHANE SEAL NYLON BACK-UP
TEMPERATURE RANGE	-65° TO +220° F
PRESSURE RANGE	0 TO 5,500 PSI
SPEED	3 FT/SEC

Part Number	A Nom. ID	B Nom. OD	C Nom. Ht	D GROOVE WIDTH	E ROD DIAMETER	G HOUSING DIAMETER	List Price
MRUB-50X63X13	50	63	13	14.00 +0.30 +0.00	50.00 -0.025 -0.064	63.00 +0.12 +0.00	\$30.35
MRUB-55X68X13	55	68	13	14.00 +0.30 +0.00	55.00 -0.030 -0.076	68.00 +0.12 +0.00	35.29
MRUB-60X73X13.2	60	73	13.2	14.00 +0.30 +0.00	60.00 -0.030 -0.076	73.00 +0.12 +0.00	30.77
MRUB-63X78X11.5-GT	63	78	11.5	12.50 +0.30 +0.00	63.00 -0.030 -0.076	78.00 +0.12 +0.00	84.42
MRUB-65X80X12	65	80	12	13.00 +0.30 +0.00	65.00 -0.030 -0.076	80.00 +0.12 +0.00	21.66
MRUB-65X78X13.2	65	78	13.2	14.00 +0.30 +0.00	65.00 -0.030 -0.076	78.00 +0.12 +0.00	31.32
MRUB-70X86X11.5-GT	70	86	11.5	12.50 +0.30 +0.00	70.00 -0.030 -0.076	86.00 +0.14 +0.00	95.59
MRUB-70X83X13.2	70	83	13.2	14.00 +0.30 +0.00	70.00 -0.030 -0.076	83.00 +0.14 +0.00	32.81
MRUB-75X88X13.2	75	88	13.2	14.00 +0.30 +0.00	75.00 -0.030 -0.076	88.00 +0.14 +0.00	35.46
MRUB-80X93X13.2	80	93	13.2	14.00 +0.30 +0.00	80.00 -0.030 -0.076	93.00 +0.14 +0.00	36.61
MRUB-85X100X13.2	85	100	13.2	14.00 +0.30 +0.00	85.00 -0.036 -0.090	100.00 +0.14 +0.00	39.52
MRUB-90X105X13.2	90	105	13.2	14.00 +0.30 +0.00	90.00 -0.036 -0.090	105.00 +0.14 +0.00	42.03
MRUB-95X110X13.2	95	110	13.2	14.00 +0.30 +0.00	95.00 -0.036 -0.090	110.00 +0.14 +0.00	43.92
MRUB-100X115X13.2	100	115	13.2	14.00 +0.30 +0.00	100.00 -0.036 -0.090	115.00 +0.14 +0.00	44.37

# STYLE MRUB ROD U-SEALS W/BACK-UP RINGS

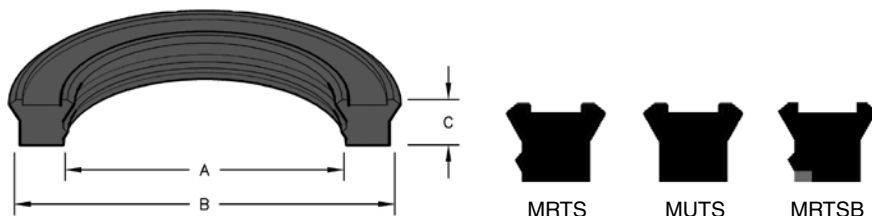


Part Number	A Nom. ID	B Nom. OD	C Nom. Ht	D GROOVE WIDTH	E ROD DIAMETER	G HOUSING DIAMETER	List Price
MRUB-105X120X12	105	120	12	13.00 <sup>+0.30</sup> / <sub>+0.00</sub>	105.00 <sup>-0.036</sup> / <sub>-0.090</sub>	120.00 <sup>+0.14</sup> / <sub>+0.00</sub>	39.98
MRUB-110X130X13	110	130	13	14.00 <sup>+0.30</sup> / <sub>+0.00</sub>	110.00 <sup>-0.036</sup> / <sub>-0.090</sub>	130.00 <sup>+0.16</sup> / <sub>+0.00</sub>	60.37
MRUB-130X150X16	130	150	16	17.00 <sup>+0.30</sup> / <sub>+0.00</sub>	130.00 <sup>-0.043</sup> / <sub>-0.106</sub>	150.00 <sup>+0.16</sup> / <sub>+0.00</sub>	65.28
MRUB-140X160X15	140	160	15	16.00 <sup>+0.30</sup> / <sub>+0.00</sub>	140.00 <sup>-0.043</sup> / <sub>-0.106</sub>	160.00 <sup>+0.16</sup> / <sub>+0.00</sub>	57.85
MRUB-200X225X20	200	225	20	21.00 <sup>+0.30</sup> / <sub>+0.00</sub>	200.00 <sup>-0.050</sup> / <sub>-0.122</sub>	225.00 <sup>+0.185</sup> / <sub>+0.000</sub>	203.22



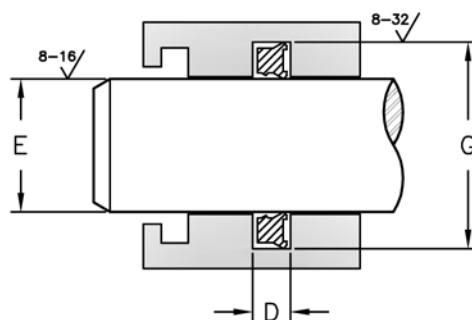
# STYLE MRTS, MUTS & MRTSB ROD U-SEALS

Designed specifically for rod applications, the short lip design and solid 'U' cavity provide high sealability at low pressure. At the heel, a secondary lip provides stability, friction-reducing lube retention, and some contamination resistance.



**PART NUMBERS**

**MRTS - 12 x 20 x 5.8**  
 Type of Seal | Inside Diameter | Outside Diameter | Height



## SEAL INFORMATION

MATERIAL	URETHANE
TEMPERATURE RANGE	-22° TO +212° F
PRESSURE RANGE	0 TO 5,000 PSI
SPEED	3 FT/SEC

Part Number	A Nom. ID	B Nom. OD	C Nom. Ht	D GROOVE WIDTH	E ROD DIAMETER	G HOUSING DIAMETER	List Price
MRTS-12X20X5.8	12	20	5.8	6.30 +0.20 +0.00	12.00 -0.016 -0.043	20.00 ±0.042	\$4.88
MRTS-16X24X6	16	24	6	6.50 +0.20 +0.00	16.00 -0.016 -0.043	24.00 ±0.042	5.17
MRTS-18X25X5	18	25	5	5.50 +0.20 +0.00	18.00 -0.016 -0.043	25.00 ±0.042	5.76
MRTS-18X26X5.8	18	26	5.8	6.30 +0.20 +0.00	18.00 -0.016 -0.043	26.00 ±0.042	5.98
MRTS-20X28X6.5	20	28	6.5	7.00 +0.20 +0.00	20.00 -0.020 -0.053	28.00 ±0.042	6.05
MRTS-22X28X4.5	22	28	4.5	5.00 +0.20 +0.00	22.00 -0.020 -0.053	28.00 ±0.042	6.04
MRTS-22X30X5.8	22	30	5.8	6.30 +0.20 +0.00	22.00 -0.020 -0.053	30.00 ±0.042	5.89
MRTS-22X32X7	22	32	7	7.50 +0.20 +0.00	22.00 -0.020 -0.053	32.00 ±0.05	6.04
MRTS-25X33X5.8	25	33	5.8	6.30 +0.20 +0.00	25.00 -0.020 -0.053	33.00 ±0.05	6.49
MRTS-25X35X5.8	25	35	5.8	6.30 +0.20 +0.00	25.00 -0.020 -0.053	35.00 ±0.05	6.49
MRTS-25X35X7	25	35	7	7.50 +0.20 +0.00	25.00 -0.020 -0.053	35.00 ±0.05	6.24
MRTS-25X35X8	25	35	8	9.00 +0.20 +0.00	25.00 -0.020 -0.053	35.00 ±0.05	6.36
MRTS-28X36X5.8	28	36	5.8	6.30 +0.20 +0.00	28.00 -0.020 -0.053	36.00 ±0.05	6.49
MRTS-28X38X7	28	38	7	7.50 +0.20 +0.00	28.00 -0.020 -0.053	38.00 ±0.05	6.49

# STYLE MRTS, MUTS & MRTSB ROD U-SEALS



Part Number	A Nom. ID	B Nom. OD	C Nom. Ht	D GROOVE WIDTH	E ROD DIAMETER	G HOUSING DIAMETER	List Price
MRTS-30X38X5.8	30	38	5.8	6.30 <sup>+0.20</sup> / <sub>+0.00</sub>	30.00 <sup>-0.020</sup> / <sub>-0.053</sub>	38.00 ±0.05	10.21
MRTS-30X40X6.5	30	40	6.5	7.00 <sup>+0.20</sup> / <sub>+0.00</sub>	30.00 <sup>-0.020</sup> / <sub>-0.053</sub>	40.00 ±0.05	6.58
MRTS-30X38X8	30	38	8	9.00 <sup>+0.20</sup> / <sub>+0.00</sub>	30.00 <sup>-0.020</sup> / <sub>-0.053</sub>	38.00 ±0.05	6.80
MRTS-30X40X10	30	40	10	11.00 <sup>+0.20</sup> / <sub>+0.00</sub>	30.00 <sup>-0.020</sup> / <sub>-0.053</sub>	40.00 ±0.05	7.40
MRTS-32X42X8	32	42	8	9.00 <sup>+0.20</sup> / <sub>+0.00</sub>	32.00 <sup>-0.025</sup> / <sub>-0.064</sub>	42.00 ±0.05	7.16
MRTS-35X43X5.8	35	43	5.8	6.30 <sup>+0.20</sup> / <sub>+0.00</sub>	35.00 <sup>-0.025</sup> / <sub>-0.064</sub>	43.00 ±0.05	6.22
MRTS-35X43X6	35	43	6	6.50 <sup>+0.20</sup> / <sub>+0.00</sub>	35.00 <sup>-0.025</sup> / <sub>-0.064</sub>	43.00 ±0.05	6.19
MRTS-35X45X7	35	45	7	8.00 <sup>+0.20</sup> / <sub>+0.00</sub>	35.00 <sup>-0.025</sup> / <sub>-0.064</sub>	45.00 <sup>+0.10</sup> / <sub>+0.00</sub>	9.82
MRTS-35X43X8	35	43	8	9.00 <sup>+0.20</sup> / <sub>+0.00</sub>	35.00 <sup>-0.025</sup> / <sub>-0.064</sub>	43.00 ±0.05	7.51
MRTS-35X45X10	35	45	10	11.00 <sup>+0.20</sup> / <sub>+0.00</sub>	35.00 <sup>-0.025</sup> / <sub>-0.064</sub>	45.00 ±0.05	12.13
MRTS-35X50X10	35	50	10	11.00 <sup>+0.20</sup> / <sub>+0.00</sub>	35.00 <sup>-0.025</sup> / <sub>-0.064</sub>	50.00 ±0.05	7.56
MRTS-36X44X5.7	36	44	5.8	6.30 <sup>+0.20</sup> / <sub>+0.00</sub>	36.00 <sup>-0.025</sup> / <sub>-0.064</sub>	44.00 ±0.05	8.56
MUTS-36X46X10	36	46	10	11.00 <sup>+0.20</sup> / <sub>+0.00</sub>	36.00 <sup>-0.025</sup> / <sub>-0.064</sub>	46.00 <sup>+0.10</sup> / <sub>+0.00</sub>	8.83
MRTS-40X48X5.8	40	48	5.8	6.30 <sup>+0.20</sup> / <sub>+0.00</sub>	40.00 <sup>-0.025</sup> / <sub>-0.064</sub>	48.00 ±0.05	7.03
MRTS-40X50X7	40	50	7	7.50 <sup>+0.20</sup> / <sub>+0.00</sub>	40.00 <sup>-0.025</sup> / <sub>-0.064</sub>	50.00 ±0.05	7.56
MRTS-40X50X10	40	50	10	11.00 <sup>+0.20</sup> / <sub>+0.00</sub>	40.00 <sup>-0.025</sup> / <sub>-0.064</sub>	50.00 ±0.05	10.19
MRTSB-40X50X10	40	50	10				8.09
MRTS-42X52X8	42	52	8	9.00 <sup>+0.20</sup> / <sub>+0.00</sub>	42.00 <sup>-0.025</sup> / <sub>-0.064</sub>	52.00 ±0.06	7.91
MRTS-45X55X7	45	55	7	7.50 <sup>+0.20</sup> / <sub>+0.00</sub>	45.00 <sup>-0.025</sup> / <sub>-0.064</sub>	55.00 ±0.06	8.32
MRTS-45X53X8	45	53	8	9.00 <sup>+0.20</sup> / <sub>+0.00</sub>	45.00 <sup>-0.025</sup> / <sub>-0.064</sub>	53.00 ±0.06	10.19
MRTS-45X55X10	45	55	10	11.00 <sup>+0.20</sup> / <sub>+0.00</sub>	45.00 <sup>-0.025</sup> / <sub>-0.064</sub>	55.00 ±0.06	10.19
MRTS-46X54X8.2	46	54	8.2	9.20 <sup>+0.20</sup> / <sub>+0.00</sub>	46.00 <sup>-0.025</sup> / <sub>-0.064</sub>	54.00 ±0.06	8.32
MRTS-50X60X7	50	60	7	7.50 <sup>+0.20</sup> / <sub>+0.00</sub>	50.00 <sup>-0.025</sup> / <sub>-0.064</sub>	60.00 ±0.06	8.39
MRTS-50X60X9	50	60	9	10.00 <sup>+0.20</sup> / <sub>+0.00</sub>	50.00 <sup>-0.025</sup> / <sub>-0.064</sub>	60.00 ±0.06	8.56
MRTS-50X60X10	50	60	10	11.00 <sup>+0.20</sup> / <sub>+0.00</sub>	50.00 <sup>-0.025</sup> / <sub>-0.064</sub>	60.00 ±0.06	10.19
MRTS-50X65X10	50	65	10	11.00 <sup>+0.20</sup> / <sub>+0.00</sub>	50.00 <sup>-0.025</sup> / <sub>-0.064</sub>	65.00 ±0.06	10.15
MUTS-50X60X10	50	60	10	11.00 <sup>+0.20</sup> / <sub>+0.00</sub>	50.00 <sup>-0.025</sup> / <sub>-0.064</sub>	60.00 <sup>+0.12</sup> / <sub>+0.00</sub>	10.22
MRTS-55X65X10	55	65	10	11.00 <sup>+0.20</sup> / <sub>+0.00</sub>	55.00 <sup>-0.030</sup> / <sub>-0.076</sub>	65.00 ±0.06	10.19
MRTS-56X71X11.5	56	71	11.5	12.50 <sup>+0.20</sup> / <sub>+0.00</sub>	56.00 <sup>-0.030</sup> / <sub>-0.076</sub>	71.00 ±0.06	11.06
MUTS-60X70X7.2	60	70	7.2	8.00 <sup>+0.20</sup> / <sub>+0.00</sub>	60.00 <sup>-0.030</sup> / <sub>-0.076</sub>	70.00 <sup>+0.12</sup> / <sub>+0.00</sub>	9.48
MRTS-60X68X8	60	68	8	9.00 <sup>+0.20</sup> / <sub>+0.00</sub>	60.00 <sup>-0.030</sup> / <sub>-0.076</sub>	68.00 ±0.06	11.06

# STYLE MRTS, MUTS & MRTSB ROD U-SEALS

Part Number	A Nom. ID	B Nom. OD	C Nom. Ht	D GROOVE WIDTH	E ROD DIAMETER	G HOUSING DIAMETER	List Price
MUTS-60X68X8	60	68	8	9.00 <sup>+0.20</sup> / <sub>+0.00</sub>	60.00 <sup>-0.030</sup> / <sub>-0.076</sub>	68.00 <sup>+0.12</sup> / <sub>+0.00</sub>	11.06
MRTS-60X72X9	60	72	9	10.00 <sup>+0.20</sup> / <sub>+0.00</sub>	60.00 <sup>-0.030</sup> / <sub>-0.076</sub>	72.00 $\pm 0.06$	11.06
MRTS-60X75X10	60	75	10	11.00 <sup>+0.20</sup> / <sub>+0.00</sub>	60.00 <sup>-0.030</sup> / <sub>-0.076</sub>	75.00 $\pm 0.06$	14.69
MRTS-60X68X11.5	60	68	11.5	12.50 <sup>+0.20</sup> / <sub>+0.00</sub>	60.00 <sup>-0.030</sup> / <sub>-0.076</sub>	68.00 $\pm 0.06$	11.25
MRTS-60X70X11.5	60	70	11.5	12.50 <sup>+0.20</sup> / <sub>+0.00</sub>	60.00 <sup>-0.030</sup> / <sub>-0.076</sub>	70.00 $\pm 0.06$	9.59
MUTS-60X70X12	60	70	12	13.00 <sup>+0.20</sup> / <sub>+0.00</sub>	60.00 <sup>-0.030</sup> / <sub>-0.076</sub>	70.00 <sup>+0.12</sup> / <sub>+0.00</sub>	10.16
MRTS-70X78X8	70	78	8	9.00 <sup>+0.20</sup> / <sub>+0.00</sub>	70.00 <sup>-0.030</sup> / <sub>-0.076</sub>	78.00 $\pm 0.06$	18.76
MRTS-70X80X10	70	80	10	11.00 <sup>+0.20</sup> / <sub>+0.00</sub>	70.00 <sup>-0.030</sup> / <sub>-0.076</sub>	80.00 $\pm 0.06$	11.39
MRTS-70X85X11.5	70	85	11.5	12.50 <sup>+0.20</sup> / <sub>+0.00</sub>	70.00 <sup>-0.030</sup> / <sub>-0.076</sub>	85.00 <sup>+0.14</sup> / <sub>+0.00</sub>	12.25
MRTSB-70X85X12	70	85	12	13.00 <sup>+0.20</sup> / <sub>+0.00</sub>	70.00 <sup>-0.030</sup> / <sub>-0.076</sub>	85.00 $\pm 0.07$	10.29
MRTS-75X85X7	75	85	7	7.50 <sup>+0.20</sup> / <sub>+0.00</sub>	75.00 <sup>-0.030</sup> / <sub>-0.076</sub>	85.00 $\pm 0.07$	12.21
MRTS-75X83X8	75	83	8	9.00 <sup>+0.20</sup> / <sub>+0.00</sub>	75.00 <sup>-0.030</sup> / <sub>-0.076</sub>	83.00 $\pm 0.07$	10.81
MRTS-75X90X10.5	75	90	10.5	11.50 <sup>+0.20</sup> / <sub>+0.00</sub>	75.00 <sup>-0.030</sup> / <sub>-0.076</sub>	90.00 $\pm 0.07$	12.29
MRTS-80X88X8	80	88	8	9.00 <sup>+0.20</sup> / <sub>+0.00</sub>	80.00 <sup>-0.030</sup> / <sub>-0.076</sub>	88.00 $\pm 0.07$	21.11
MRTS-80X92X9	80	92	9	10.00 <sup>+0.20</sup> / <sub>+0.00</sub>	80.00 <sup>-0.030</sup> / <sub>-0.076</sub>	92.00 $\pm 0.07$	11.98
MRTS-80X96X9.5	80	96	9.5	10.50 <sup>+0.20</sup> / <sub>+0.00</sub>	80.00 <sup>-0.030</sup> / <sub>-0.076</sub>	96.00 $\pm 0.07$	10.93
MRTS-80X95X11	80	95	11	12.00 <sup>+0.20</sup> / <sub>+0.00</sub>	80.00 <sup>-0.030</sup> / <sub>-0.076</sub>	95.00 $\pm 0.07$	12.17
MRTSB-80X95X11.5	80	95	11.5	12.50 <sup>+0.20</sup> / <sub>+0.00</sub>	80.00 <sup>-0.030</sup> / <sub>-0.076</sub>	95.00 $\pm 0.07$	10.48
MUTS-80X90X12	80	90	12	13.00 <sup>+0.20</sup> / <sub>+0.00</sub>	80.00 <sup>-0.030</sup> / <sub>-0.076</sub>	90.00 <sup>+0.14</sup> / <sub>+0.00</sub>	10.63
MRTS-85X93X8	85	93	8	9.00 <sup>+0.20</sup> / <sub>+0.00</sub>	85.00 <sup>-0.036</sup> / <sub>-0.090</sub>	93.00 $\pm 0.07$	12.75
MRTS-90X102X9	90	102	9	10.00 <sup>+0.20</sup> / <sub>+0.00</sub>	90.00 <sup>-0.036</sup> / <sub>-0.090</sub>	102.00 $\pm 0.07$	12.56
MRTS-90X105X11.5	90	105	11.5	12.50 <sup>+0.20</sup> / <sub>+0.00</sub>	90.00 <sup>-0.036</sup> / <sub>-0.090</sub>	105.00 $\pm 0.07$	12.34
MRTS-90X110X14	90	110	14	15.00 <sup>+0.20</sup> / <sub>+0.00</sub>	90.00 <sup>-0.036</sup> / <sub>-0.090</sub>	110.00 $\pm 0.07$	14.39
MRTS-100X108X8	100	108	8	9.00 <sup>+0.20</sup> / <sub>+0.00</sub>	100.00 <sup>-0.036</sup> / <sub>-0.090</sub>	108.00 $\pm 0.07$	32.96
MRTS-100X115X12	100	115	12	13.00 <sup>+0.20</sup> / <sub>+0.00</sub>	100.00 <sup>-0.036</sup> / <sub>-0.090</sub>	115.00 $\pm 0.07$	15.17
MRTS-110X125X11.3	110	125	11.3	12.30 <sup>+0.20</sup> / <sub>+0.00</sub>	110.00 <sup>-0.036</sup> / <sub>-0.090</sub>	125.00 $\pm 0.08$	15.08
MRTS-110X120X11.5	110	120	11.5	12.50 <sup>+0.20</sup> / <sub>+0.00</sub>	110.00 <sup>-0.036</sup> / <sub>-0.090</sub>	120.00 $\pm 0.07$	14.15
MUTS-115X130X11	115	130	11	12.00 <sup>+0.20</sup> / <sub>+0.00</sub>	115.00 <sup>-0.036</sup> / <sub>-0.090</sub>	130.00 <sup>+0.16</sup> / <sub>+0.00</sub>	15.20
MRTSB-115X130X15	115	130	15	16.00 <sup>+0.20</sup> / <sub>+0.00</sub>	115.00 <sup>-0.036</sup> / <sub>-0.090</sub>	130.00 $\pm 0.08$	16.17
MRTS-120X128X8	120	128	8	9.00 <sup>+0.20</sup> / <sub>+0.00</sub>	120.00 <sup>-0.036</sup> / <sub>-0.090</sub>	128.00 $\pm 0.08$	15.55

Seal color may vary. Special order sizes are available.

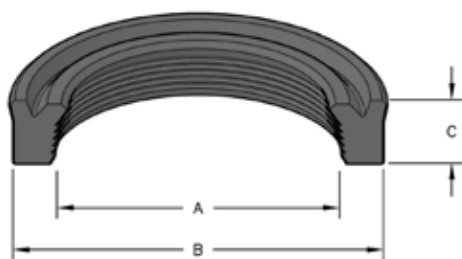
**BELOW SIZES ARE MADE TO ORDER**



Part Number	List Price	Part Number	List Price	Part Number	List Price
MRTS-10X16X4.8	\$ 3.03	MRTS-45X52X12	\$ 7.56	MRTS-85.5X97.5X12.2	\$ 14.62
MRTS-10X18X5.8	3.28	MRTS-48X60X6	8.25	MRTS-88.9X101.6X9.5	14.98
MRTS-12X19X5.7	3.53	MRTS-57.1X66.7X9.5	9.64	MRTS-97X105X13.5	16.43
MRTS-14X21X5	3.78	MRTS-57.1X69.8X9.5	10.33	MRTS-100X112X14	16.80
MRTS-14X22X5.8	4.04	MRTS-63.5X76.2X9.5	11.02	MRTS-105X120X11	17.16
MRTS-15X21.5X4.3	4.29	MRTS-68X76X8	11.72	MRTS-118X126X13	18.98
MRTS-18X26X6	4.54	MRTS-76.2X88.9X9.5	12.08	MRTS-170X180X10	22.41
MRTS-20X30X7	4.80	MRTS-76.2X91.2X12	12.44	MRTS-175X185X12	23.43
MRTS-20X30X8	5.05	MRTS-79.4X88.9X9.5	12.80	MRTS-196X204.7X8	24.45
MRTS-32X40X6.7	5.30	MRTS-82.5X97.5X12	13.17	MRTS-197X209X12	25.48
MRTS-32X40X6.5	5.81	MRTS-83X98X12	13.53	MRTS-222X234X12	27.52
MRTS-32X40X8	6.17	MRTS-85X105X13.5	13.89		
MRTSB-40X55X10	6.86	MRTS-85X95X12	14.26		

# STYLE MRU-LF ROD U-SEALS

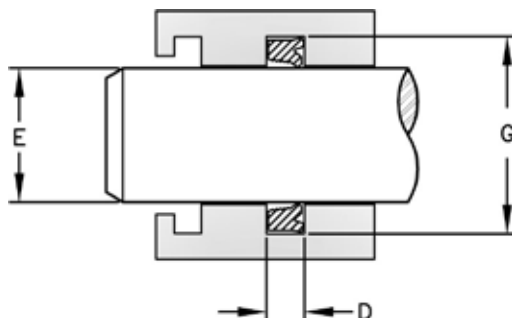
Style MRU-LF rod seal is ideal in situations that require a low friction seal. This style seal reduces stick-slip, while maintaining excellent static and dynamic performance.



### PART NUMBERS

**MRU - 22 x 30 x 5.7-LF**

Type of Seal: MRU  
Inside Diameter: 22  
Outside Diameter: 30  
Height: 5.7-LF



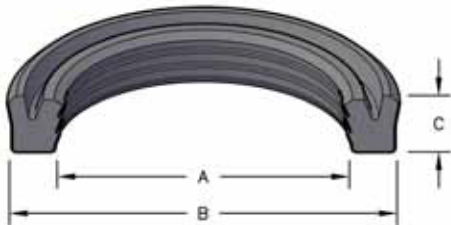
SEAL INFORMATION	
MATERIAL	94 A POLYURETHANE
TEMPERATURE RANGE	-22° TO +230° F
PRESSURE RANGE	0 TO 4,600 PSI
SPEED	2 FT/SEC

Part Number	A Nom. ID	B Nom. OD	C Nom. Ht	D GROOVE WIDTH	E ROD DIAMETER	G HOUSING DIAMETER	List Price
MRU-22X30X5.7-LF	22	30	5.7	6.30 +0.20 +0.00	22.00 -0.020 -0.053	30.00 +0.13 +0.00	\$10.89
MRU-28X38X7.3-LF	28	38	7.3	8.00 +0.30 +0.00	28.00 -0.020 -0.053	38.00 +0.16 +0.00	12.77
MRU-30X40X7.3-LF	30	40	7.3	8.00 +0.30 +0.00	30.00 -0.020 -0.053	40.00 +0.16 +0.00	12.77
MRU-32X40X7.3-LF	32	40	7.3	8.00 +0.30 +0.00	32.00 -0.025 -0.064	40.00 +0.16 +0.00	13.24
MRU-40X50X7.3-LF	40	50	7.3	8.00 +0.30 +0.00	40.00 -0.025 -0.064	50.00 +0.16 +0.00	13.90
MRU-45X55X7.3-LF	45	55	7.3	8.00 +0.30 +0.00	45.00 -0.025 -0.064	55.00 +0.19 +0.00	16.16
MRU-50X60X7.3-LF	50	60	7.3	8.00 +0.30 +0.00	50.00 -0.025 -0.064	60.00 +0.19 +0.00	17.66
MRU-55X65X7.3-LF	55	65	7.3	8.00 +0.30 +0.00	55.00 -0.030 -0.076	65.00 +0.19 +0.00	18.60
MRU-60X70X7.3-LF	60	70	7.3	8.00 +0.30 +0.00	60.00 -0.030 -0.076	70.00 +0.19 +0.00	19.53
MRU-70X80X7.3-LF	70	80	7.3	8.00 +0.30 +0.00	70.00 -0.030 -0.076	80.00 +0.19 +0.00	19.99

# STYLE MHMU ROD U-SEALS



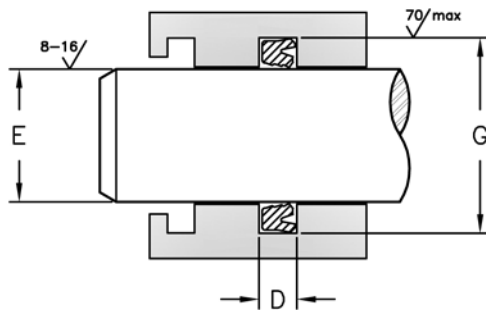
The MHMU style multi-lip rod u-seal combines the pressure-compensating, uni-directional characteristics of a u-seal with the multi-lip sealing effectiveness of compression-type stacked packings. Made from premium materials, the MHMU utilizes several sealing lip edges for dry rod performance while minimizing friction. The multi-lip design maintains a critical sealing edge even though increasing pressure moves the line of contact down toward the heel.



**PART NUMBERS**

**MHMU - 12 x 19 x 5**  
 Type of Seal    Inside Diameter    Outside Diameter    Height

SEAL INFORMATION	
MATERIAL	URETHANE
TEMPERATURE RANGE	-50 TO +230° F
PRESSURE RANGE	0 TO 5,000 PSI
SPEED	3 FT/SEC

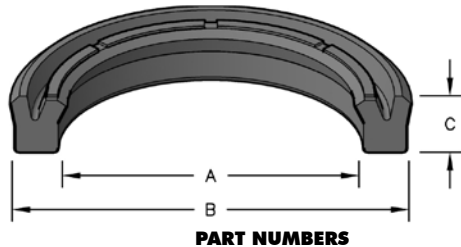


Part Number	A Nom. ID	B Nom. OD	C Nom. Ht	D GROOVE WIDTH	E ROD DIAMETER	G HOUSING DIAMETER	List Price
MHMU-12X19X5U	12	19	5	5.60 +0.25 +0.00	12.00 -0.016 -0.059	19.00 ±0.065	\$9.22
MHMU-14X21X5U	14	21	5	5.60 +0.25 +0.00	14.00 -0.016 -0.059	21.00 ±0.065	9.22
MHMU-18X25X5U	18	25	5	5.60 +0.25 +0.00	18.00 -0.016 -0.059	25.00 ±0.065	9.35
MHMU-22X29X5U	22	29	5	5.60 +0.25 +0.00	22.00 -0.020 -0.072	29.00 ±0.065	9.35
MHMU-28X36X5.7U	28	36	5.7	6.30 +0.25 +0.00	28.00 -0.020 -0.072	36.00 ±0.08	9.42
MHMU-36X44X5.7U	36	44	5.7	6.30 +0.25 +0.00	36.00 -0.025 -0.087	44.00 ±0.08	9.42
MHMU-45X53X5.7U	45	53	5.7	6.30 +0.25 +0.00	45.00 -0.025 -0.087	53.00 ±0.095	9.54
MHMU-56X66X6.5U	56	66	6.5	7.50 +0.25 +0.00	56.00 -0.030 -0.104	66.00 ±0.095	9.83
MHMU-70X80X6.5U	70	80	6.5	7.50 +0.25 +0.00	70.00 -0.030 -0.104	80.00 ±0.095	10.02
MHMU-90X100X6.5U	90	100	6.5	7.50 +0.25 +0.00	90.00 -0.036 -0.123	100.00 ±0.11	10.21
MHMU-110X125X9.6U	110	125	9.6	10.60 +0.25 +0.00	110.00 -0.036 -0.123	125.00 ±0.125	12.08
MHMU-140X155X9.6U	140	155	9.6	10.60 +0.25 +0.00	140.00 -0.043 -0.143	155.00 ±0.125	19.43

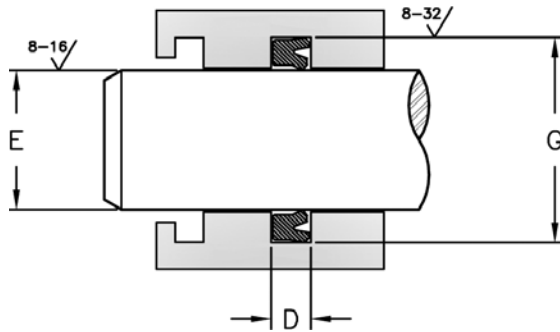


# STYLE MRUN ROD U-SEALS

The MRUN Rod U-seal is designed with improved oil resistance and compression set versus urethane seals. The addition of a u-seal back-up ring will increase the pressure range of the seal from 2,000 psi to 3,000 psi.



**MRUN - 20 X 28 X 5**  
 Type of Seal    Rod Diameter    Groove Diameter    Height



SEAL INFORMATION	
MATERIAL	NITRILE
TEMPERATURE RANGE	-8° F TO +212° F
PRESSURE RANGE	0 TO 2,000 psi W/O BACK-UP 0 TO 3,000 psi W/ BACK-UP
SPEED	3 ft/sec
SUFFIX	HT = HIGH TEMPERATURE NITRILE (-13° F TO +248° F) LT = LOW TEMPERATURE NITRILE (-67° F TO +176° F)

Part Number	A Nom. ID	B Nom. OD	C Nom. Ht	D GROOVE WIDTH	E ROD DIAMETER	G HOUSING DIAMETER	List Price
MRUN-20X28X5-LT	20	28	5	5.70 ±0.20	20.00 <sup>-0.020</sup> / <sub>-0.053</sub>	28.00 <sup>+0.00</sup> / <sub>-0.20</sub>	\$30.49
MRUN-22.4X30.4X5	22.4	30.4	5	5.70 ±0.20	22.40 <sup>-0.020</sup> / <sub>-0.053</sub>	30.40 <sup>+0.00</sup> / <sub>-0.20</sub>	16.10
MRUN-25X33X5	25	33	5	5.70 ±0.20	25.00 <sup>-0.020</sup> / <sub>-0.053</sub>	33.00 <sup>+0.00</sup> / <sub>-0.20</sub>	11.64
MRUN-30X40X6	30	40	6	7.00 ±0.20	30.00 <sup>-0.020</sup> / <sub>-0.053</sub>	40.00 <sup>+0.00</sup> / <sub>-0.20</sub>	18.50
MRUN-30X40X7	30	40	7	8.00 ±0.20	30.00 <sup>-0.020</sup> / <sub>-0.053</sub>	40.00 <sup>+0.00</sup> / <sub>-0.20</sub>	19.26
MRUN-32X42X6	32	42	6	7.00 ±0.20	32.00 <sup>-0.025</sup> / <sub>-0.064</sub>	42.00 <sup>+0.00</sup> / <sub>-0.20</sub>	31.68
MRUN-40X50X6	40	50	6	7.00 ±0.20	40.00 <sup>-0.025</sup> / <sub>-0.064</sub>	50.00 <sup>+0.00</sup> / <sub>-0.20</sub>	23.46
MRUN-40X50X7	40	50	7	8.00 ±0.20	40.00 <sup>-0.025</sup> / <sub>-0.064</sub>	50.00 <sup>+0.00</sup> / <sub>-0.20</sub>	29.86
MRUN-40X50X8	40	50	8	9.00 ±0.20	40.00 <sup>-0.025</sup> / <sub>-0.064</sub>	50.00 <sup>+0.00</sup> / <sub>-0.20</sub>	35.28
MRUN-45X55X6	45	55	6	7.00 ±0.20	45.00 <sup>-0.025</sup> / <sub>-0.064</sub>	55.00 <sup>+0.00</sup> / <sub>-0.20</sub>	19.56
MRUN-45X55X7	45	55	7	8.00 ±0.20	45.00 <sup>-0.025</sup> / <sub>-0.064</sub>	55.00 <sup>+0.00</sup> / <sub>-0.20</sub>	19.90
MRUN-45X56X7	45	56	7	8.00 ±0.20	45.00 <sup>-0.025</sup> / <sub>-0.064</sub>	56.00 <sup>+0.00</sup> / <sub>-0.20</sub>	20.06
MRUN-50X63X8	50	63	8	9.00 ±0.20	50.00 <sup>-0.025</sup> / <sub>-0.064</sub>	63.00 <sup>+0.00</sup> / <sub>-0.20</sub>	36.48
MRUN-50X63X10	50	63	10	11.00 ±0.20	50.00 <sup>-0.025</sup> / <sub>-0.064</sub>	63.00 <sup>+0.00</sup> / <sub>-0.20</sub>	21.22

## STYLE MRUN ROD U-SEALS



Part Number	A Nom. ID	B Nom. OD	C Nom. Ht	D GROOVE WIDTH	E ROD DIAMETER	G HOUSING DIAMETER	List Price
MRUN-55X68X10	55	68	10	11.00 ±0.20	55.00 <sup>-0.030</sup> <sub>-0.076</sub>	68.00 <sup>+0.00</sup> <sub>-0.20</sub>	32.12
MRUN-60X73X10	60	73	10	11.00 ±0.20	60.00 <sup>-0.030</sup> <sub>-0.076</sub>	73.00 <sup>+0.00</sup> <sub>-0.20</sub>	23.90
MRUN-60X73X10-HT	60	73	10	11.00 ±0.20	60.00 <sup>-0.030</sup> <sub>-0.076</sub>	73.00 <sup>+0.00</sup> <sub>-0.20</sub>	29.32
MRUN-65X78X10	65	78	10	11.00 ±0.20	65.00 <sup>-0.030</sup> <sub>-0.076</sub>	78.00 <sup>+0.00</sup> <sub>-0.20</sub>	26.19
MRUN-65X78X10-HT	65	78	10	11.00 ±0.20	65.00 <sup>-0.030</sup> <sub>-0.076</sub>	78.00 <sup>+0.00</sup> <sub>-0.20</sub>	36.80
MRUN-70X85X9	70	85	9	10.00 ±0.20	70.00 <sup>-0.030</sup> <sub>-0.076</sub>	85.00 <sup>+0.00</sup> <sub>-0.20</sub>	20.53
MRUN-70X83X10	70	83	10	11.00 ±0.20	70.00 <sup>-0.030</sup> <sub>-0.076</sub>	83.00 <sup>+0.00</sup> <sub>-0.20</sub>	36.54
MRUN-70X83X10-HT	70	83	10	11.00 ±0.20	70.00 <sup>-0.030</sup> <sub>-0.076</sub>	83.00 <sup>+0.00</sup> <sub>-0.20</sub>	43.70
MRUN-70X83X10-LT	70	83	10	11.00 ±0.20	70.00 <sup>-0.030</sup> <sub>-0.076</sub>	83.00 <sup>+0.00</sup> <sub>-0.20</sub>	33.93
MRUN-75X88X10	75	88	10	11.00 ±0.20	75.00 <sup>-0.030</sup> <sub>-0.076</sub>	88.00 <sup>+0.00</sup> <sub>-0.20</sub>	21.25
MRUN-75X88X10-A	75	88	10	11.00 ±0.20	75.00 <sup>-0.030</sup> <sub>-0.076</sub>	88.00 <sup>+0.00</sup> <sub>-0.20</sub>	8.83
MRUN-80X95X9	80	95	9	10.00 ±0.20	80.00 <sup>-0.030</sup> <sub>-0.076</sub>	95.00 <sup>+0.00</sup> <sub>-0.20</sub>	33.26
MRUN-80X93X10	80	93	10	11.00 ±0.20	80.00 <sup>-0.030</sup> <sub>-0.076</sub>	93.00 <sup>+0.00</sup> <sub>-0.20</sub>	31.89
MRUN-80X93X10-A	80	93	10	11.00 ±0.20	80.00 <sup>-0.030</sup> <sub>-0.076</sub>	93.00 <sup>+0.00</sup> <sub>-0.20</sub>	9.33
MRUN-85X100X10	85	100	10	11.00 ±0.20	85.00 <sup>-0.036</sup> <sub>-0.090</sub>	100.00 <sup>+0.00</sup> <sub>-0.20</sub>	35.20
MRUN-85X100X10-A	85	100	10	11.00 ±0.20	85.00 <sup>-0.036</sup> <sub>-0.090</sub>	100.00 <sup>+0.00</sup> <sub>-0.20</sub>	10.73
MRUN-90X105X9	90	105	9	10.00 ±0.20	90.00 <sup>-0.036</sup> <sub>-0.090</sub>	105.00 <sup>+0.00</sup> <sub>-0.20</sub>	23.55
MRUN-90X105X10	90	105	10	11.00 ±0.20	90.00 <sup>-0.036</sup> <sub>-0.090</sub>	105.00 <sup>+0.00</sup> <sub>-0.20</sub>	28.55
MRUN-90X105X10-A	90	105	10	11.00 ±0.20	90.00 <sup>-0.036</sup> <sub>-0.090</sub>	105.00 <sup>+0.00</sup> <sub>-0.20</sub>	11.30
MRUN-90X105X10-HT	90	105	10	11.00 ±0.20	90.00 <sup>-0.036</sup> <sub>-0.090</sub>	105.00 <sup>+0.00</sup> <sub>-0.20</sub>	62.91
MRUN-90X110X12	90	110	12	13.00 ±0.20	90.00 <sup>-0.036</sup> <sub>-0.090</sub>	110.00 <sup>+0.00</sup> <sub>-0.20</sub>	47.67
MRUN-95X110X9	95	110	9	10.00 ±0.20	95.00 <sup>-0.036</sup> <sub>-0.090</sub>	110.00 <sup>+0.00</sup> <sub>-0.20</sub>	23.61
MRUN-95X110X10-A	95	110	10	11.00 ±0.20	95.00 <sup>-0.036</sup> <sub>-0.090</sub>	110.00 <sup>+0.00</sup> <sub>-0.20</sub>	11.86
MRUN-95X110X10.5	95	110	10.5	11.50 ±0.20	95.00 <sup>-0.036</sup> <sub>-0.090</sub>	110.00 <sup>+0.00</sup> <sub>-0.20</sub>	30.72
MRUN-95X115X12	95	115	12	13.00 ±0.20	95.00 <sup>-0.036</sup> <sub>-0.090</sub>	115.00 <sup>+0.00</sup> <sub>-0.20</sub>	46.08
MRUN-100X115X10	100	115	10	11.00 ±0.20	100.00 <sup>-0.036</sup> <sub>-0.090</sub>	115.00 <sup>+0.00</sup> <sub>-0.20</sub>	24.75
MRUN-105X120X9	105	120	9	10.00 ±0.20	105.00 <sup>-0.036</sup> <sub>-0.090</sub>	120.00 <sup>+0.00</sup> <sub>-0.20</sub>	76.16
MRUN-105X120X10	105	120	10	11.00 ±0.20	105.00 <sup>-0.036</sup> <sub>-0.090</sub>	120.00 <sup>+0.00</sup> <sub>-0.20</sub>	48.61
MRUN-105X125X15	105	125	15	16.00 ±0.20	105.00 <sup>-0.036</sup> <sub>-0.090</sub>	125.00 <sup>+0.00</sup> <sub>-0.20</sub>	53.24
MRUN-110X125X10-HT	110	125	10	11.00 ±0.20	110.00 <sup>-0.036</sup> <sub>-0.090</sub>	125.00 <sup>+0.00</sup> <sub>-0.20</sub>	74.65





# STYLE MRUN ROD U-SEALS

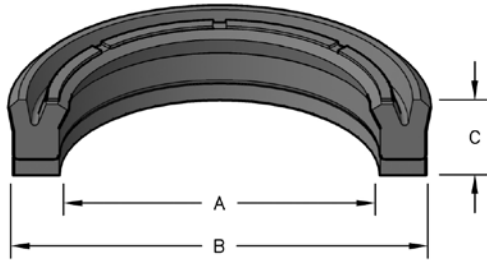
Part Number	A Nom. ID	B Nom. OD	C Nom. Ht	D GROOVE WIDTH	E ROD DIAMETER	G HOUSING DIAMETER	List Price
MRUN-110X125X10-LT	110	125	10	11.00 ±0.20	110.00 <sup>-0.036</sup> <sub>-0.090</sub>	125.00 <sup>+0.00</sup> <sub>-0.20</sub>	59.46
MRUN-110X130X10	110	130	10	11.00 ±0.20	110.00 <sup>-0.036</sup> <sub>-0.090</sub>	130.00 <sup>+0.00</sup> <sub>-0.20</sub>	43.94
MRUN-110X130X10-A	110	130	10	11.00 ±0.20	110.00 <sup>-0.036</sup> <sub>-0.090</sub>	130.00 <sup>+0.00</sup> <sub>-0.20</sub>	16.18
MRUN-115X130X10	115	130	10	11.00 ±0.20	115.00 <sup>-0.036</sup> <sub>-0.090</sub>	130.00 <sup>+0.00</sup> <sub>-0.20</sub>	73.15
MRUN-115X130X10-LT	115	130	10	11.00 ±0.20	115.00 <sup>-0.036</sup> <sub>-0.090</sub>	130.00 <sup>+0.00</sup> <sub>-0.20</sub>	78.36
MRUN-115X135X16-HT	115	135	16	17.00 ±0.20	115.00 <sup>-0.036</sup> <sub>-0.090</sub>	135.00 <sup>+0.00</sup> <sub>-0.20</sub>	100.34
MRUN-120X140X10	120	140	10	11.00 ±0.20	120.00 <sup>-0.036</sup> <sub>-0.090</sub>	140.00 <sup>+0.00</sup> <sub>-0.20</sub>	52.79
MRUN-125X145X12	125	145	12	13.00 ±0.20	125.00 <sup>-0.043</sup> <sub>-0.106</sub>	145.00 <sup>+0.00</sup> <sub>-0.20</sub>	88.02
MRUN-130X145X10	130	145	10	11.00 ±0.20	130.00 <sup>-0.043</sup> <sub>-0.106</sub>	145.00 <sup>+0.00</sup> <sub>-0.20</sub>	180.66
MRUN-130X150X12	130	150	12	13.00 ±0.20	130.00 <sup>-0.043</sup> <sub>-0.106</sub>	150.00 <sup>+0.00</sup> <sub>-0.20</sub>	61.89
MRUN-140X155X10	140	155	10	11.00 ±0.20	140.00 <sup>-0.043</sup> <sub>-0.106</sub>	155.00 <sup>+0.00</sup> <sub>-0.20</sub>	113.85
MRUN-140X160X12	140	160	12	13.00 ±0.20	140.00 <sup>-0.043</sup> <sub>-0.106</sub>	160.00 <sup>+0.00</sup> <sub>-0.20</sub>	60.71
MRUN-150X165X10	150	165	10	11.00 ±0.20	150.00 <sup>-0.043</sup> <sub>-0.106</sub>	165.00 <sup>+0.00</sup> <sub>-0.20</sub>	185.15
MRUN-160X180X12	160	180	12	13.00 ±0.20	160.00 <sup>-0.043</sup> <sub>-0.106</sub>	180.00 <sup>+0.00</sup> <sub>-0.20</sub>	118.51
MRUN-180X205X15.5	180	205	15.5	16.50 ±0.20	180.00 <sup>-0.043</sup> <sub>-0.106</sub>	205.00 <sup>+0.00</sup> <sub>-0.20</sub>	130.59
MRUN-200X225X16	200	225	16	17.00 ±0.20	200.00 <sup>-0.050</sup> <sub>-0.122</sub>	225.00 <sup>+0.00</sup> <sub>-0.20</sub>	132.10

Seal color may vary. Special order sizes are available.

# STYLE MRUNB ROD U-SEAL WITH BACK-UP RINGS



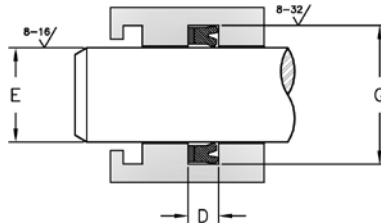
The MRUNB Rod U-seal is designed to prevent extrusion damage. The addition of the u-seal back-up ring increases the pressure range of the seal from 2,000 psi to 3,000 psi.



HT = High Temperature Nitrile  
LT = Low Temperature Nitrile  
U = Urethane Back-Up Ring

### PART NUMBERS

**MRUNB - 12 x 19 x 5**  
Type of Seal    Inside Diameter    Outside Diameter    Height



SEAL INFORMATION	
MATERIAL	NITRILE AND PTFE
TEMPERATURE RANGE	-13° F TO +212° F
PRESSURE RANGE	0 TO 3,000 PSI
SPEED	3 FT/SEC

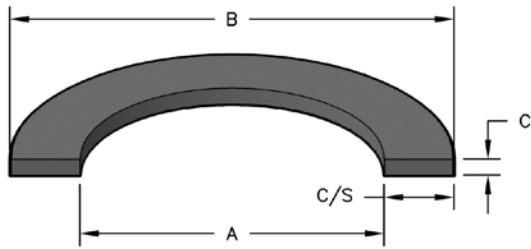
Part Number	A Nom. ID	B Nom. OD	C Nom. Ht	D GROOVE WIDTH	E ROD DIAMETER	G HOUSING DIAMETER	List Price
MRUNB-20X28X7-LT	20	28	7	8.00 ±0.20	20.00 -0.020 -0.053	28.00 +0.00 -0.20	\$44.17
MRUNB-25X33X7	25	33	7	7.70 +0.20 +0.00	25.00 -0.020 -0.053	33.00 +0.00 -0.20	18.09
MRUNB-30X40X10	30	40	10	11.00 ±0.20	30.00 -0.020 -0.053	40.00 +0.00 -0.20	25.52
MRUNB-40X50X10	40	50	10	11.00 ±0.20	40.00 -0.025 -0.064	50.00 +0.00 -0.20	23.72
MRUNB-45X55X10	45	55	10	11.00 +0.20 +0.00	45.00 -0.025 -0.064	55.00 +0.00 -0.20	44.93
MRUNB-45X55X10U	45	55	10	11.00 ±0.20	45.00 -0.025 -0.064	55.00 +0.00 -0.20	29.09
MRUNB-45X56X10	45	56	10	11.00 ±0.20	45.00 -0.025 -0.064	56.00 +0.00 -0.20	34.11
MRUNB-50X63X13	50	63	13	14.00 ±0.20	50.00 -0.025 -0.064	63.00 +0.00 -0.20	37.74
MRUNB-55X68X13	55	68	13	14.00 ±0.20	55.00 -0.030 -0.076	68.00 +0.00 -0.20	42.75
MRUNB-60X73X13	60	73	13	14.00 ±0.20	60.00 -0.030 -0.076	73.00 +0.00 -0.20	36.09
MRUNB-60X73X13U-HT	60	73	13	14.00 ±0.20	60.00 -0.030 -0.076	73.00 +0.00 -0.20	40.29
MRUNB-65X78X13	65	78	13	14.00 ±0.20	65.00 -0.030 -0.076	78.00 +0.00 -0.20	36.78
MRUNB-65X78X13U-HT	65	78	13	14.00 ±0.20	65.00 -0.030 -0.076	78.00 +0.00 -0.20	43.21
MRUNB-70X83X13	70	83	13	14.00 ±0.20	70.00 -0.030 -0.076	83.00 +0.00 -0.20	38.55
MRUNB-70X83X13-LT	70	83	13	14.00 ±0.20	70.00 -0.030 -0.076	83.00 +0.00 -0.20	43.07
MRUNB-70X83X13U-HT	70	83	13	14.00 ±0.20	70.00 -0.030 -0.076	83.00 +0.00 -0.20	46.17
MRUNB-75X88X13	75	88	13	14.00 ±0.20	75.00 -0.030 -0.076	88.00 +0.00 -0.20	41.65
MRUNB-80X93X13	80	93	13	14.00 ±0.20	80.00 -0.030 -0.076	93.00 +0.00 -0.20	43.01
MRUNB-85X100X13	85	100	13	14.00 ±0.20	85.00 -0.036 -0.090	100.00 +0.00 -0.20	46.43


**STYLE MRUNB ROD U-SEAL WITH BACK-UP RINGS**

Part Number	A Nom. ID	B Nom. OD	C Nom. Ht	D GROOVE WIDTH	E ROD DIAMETER	G HOUSING DIAMETER	List Price
MRUNB-90X105X13	90	105	13	14.00 ±0.20	90.00 <sup>-0.036</sup> <sub>-0.090</sub>	105.00 <sup>+0.00</sup> <sub>-0.20</sub>	49.39
MRUNB-90X105X13U-HT	90	105	13	14.00 ±0.20	90.00 <sup>-0.036</sup> <sub>-0.090</sub>	105.00 <sup>+0.00</sup> <sub>-0.20</sub>	64.54
MRUNB-95X110X13.5	95	110	13.5	14.50 ±0.20	95.00 <sup>-0.036</sup> <sub>-0.090</sub>	110.00 <sup>+0.00</sup> <sub>-0.20</sub>	51.58
MRUNB-100X115X13	100	115	13	14.00	100.00 <sup>-0.036</sup> <sub>-0.090</sub>	115.00 <sup>+0.00</sup> <sub>-0.20</sub>	52.13
MRUNB-110X130X13	110	130	13	14.00 ±0.20	110.00 <sup>-0.036</sup> <sub>-0.090</sub>	130.00 <sup>+0.00</sup> <sub>-0.20</sub>	67.33
MRUNB-120X140X13	120	140	13	14.00 ±0.20	120.00 <sup>-0.036</sup> <sub>-0.090</sub>	140.00 <sup>+0.00</sup> <sub>-0.20</sub>	69.22
MRUNB-130X150X16	130	150	16	17.00 ±0.20	130.00 <sup>-0.043</sup> <sub>-0.106</sub>	150.00 <sup>+0.00</sup> <sub>-0.20</sub>	102.29
MRUNB-140X160X16	140	160	16	17.00 ±0.20	140.00 <sup>-0.043</sup> <sub>-0.106</sub>	160.00 <sup>+0.00</sup> <sub>-0.20</sub>	103.60
MRUNB-160X180X16	160	180	16	17.00 ±0.20	160.00 <sup>-0.043</sup> <sub>-0.106</sub>	180.00 <sup>+0.00</sup> <sub>-0.20</sub>	173.83
MRUNB-180X205X19.5	180	205	19.5	20.50 ±0.20	180.00 <sup>-0.043</sup> <sub>-0.106</sub>	205.00 <sup>+0.00</sup> <sub>-0.20</sub>	177.69
MRUNB-200X225X20	200	225	20	21.00 ±0.20	200.00 <sup>-0.050</sup> <sub>-0.122</sub>	225.00 <sup>+0.00</sup> <sub>-0.20</sub>	201.90

## STYLE MBN U-SEAL BACK-UP RINGS

Hard nylon back-up rings for use with U-seals.



### PART NUMBERS

**MBN - 75 X 2.5 X 2.5**

Type of Seal: MBN  
Inside Diameter: 75  
Cross Section: 2.5 X 2.5  
Width: 2.5

SEAL INFORMATION	
MATERIAL	NYLON
TEMPERATURE RANGE	-67° TO +212° F
PRESSURE RANGE	0 TO 5,000 PSI
SPEED	3 FT/SEC

Part Number	A Nom. ID	B Nom. OD	C Nom. Ht	List Price
<b>2.5mm C/S</b>				
MBN-75X2.5X2.5	75	80	2.5	\$29.60
<b>3mm C/S</b>				
MBN-44X3X1.25	44	50	1.25	\$5.59
<b>3.7mm C/S</b>				
MBN-28X3.7X1.5	28	35.4	1.5	\$15.34
<b>4mm C/S</b>				
MBN-40X4X1.4	40	48	1.4	\$18.93
MBN-42X4X1.5	42	50	1.5	6.56
<b>5mm C/S</b>				
MBN-25X5X2	25	35	2	\$6.54
MBN-30X5X3	30	40	3	8.24
MBN-35X5X1.8	35	45	1.8	23.37
MBN-40X5X1.5	40	50	1.5	12.10
MBN-40X5X2.5	40	50	2.5	19.26
MBN-50X5X1.6	50	60	1.6	28.05
MBN-75X5X3	75	85	3	19.26
MBN-80X5X3	80	90	3	18.86
MBN-117X5X4	117	127	4	28.97
MBN-120X5X2	120	130	2	7.65
MBN-130X5X2	130	140	2	10.31
MBN-132X5X4	132	142	4	37.07
MBN-145X5X4	145	155	4	39.09
MBN-155X5X4	155	165	4	40.40
MBH-170X5X2.5	170	180	2.5	4.24
<b>5.5mm C/S</b>				
MBN-45X5.5X2.5	45	56	2.5	\$16.22
<b>6mm C/S</b>				
MBN-63X6X1.5	63	75	1.5	\$8.44
<b>6.5mm C/S</b>				
MBN-50X6.5X3	50	63	3	\$4.55
MBN-60X6.5X3	60	73	3	9.56
MBN-65X6.5X3	65	78	3	9.56
MBN-70X6.5X3	70	83	3	9.56
MBN-75X6.5X3	75	88	3	9.56
MBN-80X6.5X3	80	93	3	11.54
<b>7.5mm C/S</b>				

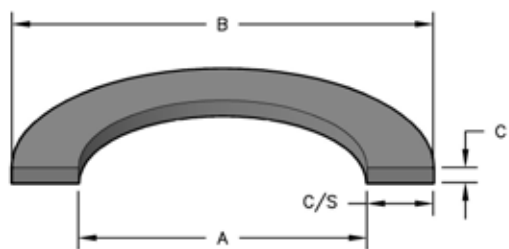
## STYLE MBN U-SEAL BACK-UP RINGS

Part Number	A Nom. ID	B Nom. OD	C Nom. Ht	List Price
MBN-45X7.5X3	45	60	3	\$9.56
MBN-50X7.5X2	50	65	2	14.16
MBN-50X7.5X2.5	50	65	2.5	23.67
MBN-50X7.5X3	50	65	3	9.56
MBN-60X7.5X2.5	60	75	2.5	9.56
MBN-65X7.5X3	65	80	3	9.56
MBN-70X7.5X1.6	70	85	1.6	19.18
MBN-70X7.5X3	70	85	3	9.56
MBN-75X7.5X3	75	90	3	9.56
MBN-80X7.5X3	80	95	3	11.54
MBN-85X7.5X1.9	85	100	1.9	5.91
MBN-85X7.5X3	85	100	3	11.54
MBN-90X7.5X3	90	105	3	11.54
MBN-95X7.5X3	95	110	3	11.54
MBN-100X7.5X3	100	115	3	13.43
MBN-105X7.5X3	105	120	3	13.43
MBN-110X7.5X3	110	125	3	13.43
MBN-120X7.5X3	120	135	3	13.43
MBN-140X7.5X3	140	155	3	87.66
<b>8mm C/S</b>				
MBN-55X8X3	55	71	3	\$8.77
MBN-60X8X3	60	76	3	11.74
<b>10mm C/S</b>				
MBN-55X10X3	55	75	3	\$12.08
MBN-60X10X3	60	80	3	9.56
MBN-70X10X3	70	90	3	9.56
MBN-75X10X3	75	95	3	9.56
MBN-80X10X2	80	100	2	17.62
MBN-80X10X3	80	100	3	11.54
MBN-85X10X3	85	105	3	11.54
MBN-90X10X3	90	110	3	11.54
MBN-95X10X3	95	115	3	11.54
MBN-100X10X3	100	120	3	13.43
MBN-105X10X3	105	125	3	13.43
MBN-110X10X3	110	130	3	13.43
MBN-120X10X3	120	140	3	14.39
MBN-125X10X3	125	145	3	32.34
MBN-130X10X3	130	150	3	18.93
MBN-140X10X3	140	160	3	24.15
MBN-150X10X3	150	170	3	25.88
MBN-160X10X3	160	180	3	29.06
<b>12.5mm C/S</b>				
MBN-160X12.5X3	160	185	3	\$49.72
MBN-160X12.5X3.5	160	185	3.5	40.15
MBN-170X12.5X3	170	195	3	57.58
MBN-180X12.5X3.5	180	205	3.5	41.19

Seal color may vary. Special order sizes are available.

## STYLE MBT U-SEAL BACK-UP RINGS

Filled PTFE back-up rings primarily used with U-seals.



**PART NUMBERS**

**MBT- 12 x 19 x 5**  
 Type of Seal: MBT  
 Inside Diameter: 12  
 Cross Section: 19  
 Width: 5

SUFFIX:  
 S = SPLIT RING  
 B = BRONZE FILLED PTFE  
 G = GLASS FILLED PTFE  
 M = MOLY FILLED PTFE

### SEAL INFORMATION

MATERIAL	FILLED PTFE
TEMPERATURE RANGE	-100° TO +500° F
PRESSURE RANGE	0 TO 5,000 PSI
SPEED	3 FT/SEC

Part Number	A Nom. ID	B Nom. OD	C Nom. Ht	List Price
<b>3.15mm C/S</b>				
MBT-12X3.15X1.5	12	18.3	1.5	\$1.53
MBT-14X3.15X1.5	14	20.3	1.5	1.53
<b>3.5mm C/S</b>				
MBT-18X3.5X1.5	18	25	1.5	\$1.99
MBT-22X3.5X1.5	22	29	1.5	2.23
<b>3.75mm C/S</b>				
MBT-28X3.75X3SB	28	35.5	3	\$7.79
<b>3.8mm C/S</b>				
MBT-63.5X3.8X4.3SB	63.5	71.1	4.3	\$42.91
<b>4mm C/S</b>				
MBT-16X4X2SB	16	24	2	\$3.58
MBT-18X4X2SB	18	26	2	4.20
MBT-22X4X1SG	22	30	1	8.73
MBT-23.5X4X2SB	23.5	31.5	2	4.50
MBT-25X4X1SG	25	33	1	10.19
MBT-25X4X2SB	25	33	2	5.41
MBT-28X4X1.5	28	36	1.5	4.97
MBT-32X4X1SG	32	40	1	23.77
MBT-36X4X1.5	36	44	1.5	3.34
MBT-45X4X1.5	45	53	1.5	4.19
<b>4.5mm C/S</b>				
MBT-71X4.5X3SB	71	80	3	\$19.21
<b>4.75mm C/S</b>				
MBT-35.5X4.75X3SB	35.5	45	3	\$10.21
<b>4.8mm C/S</b>				
MBT-32X4.8X1.5SG	32	41.6	1.5	\$14.73
<b>5mm C/S</b>				
MBT-8X5X2SB	8	18	2	\$3.58
MBT-10X5X2SB	10	20	2	3.58
MBT-14X5X2SB	14	24	2	3.88
MBT-15X5X2SB	15	25	2	1.73
MBT-16X5X2SB	16	26	2	4.79
MBT-18X5X2SB	18	28	2	4.50
MBT-20X5X2SB	20	30	2	4.50
MBT-25X5X2SB	25	35	2	15.22
MBT-30X5X1.5SG	30	40	1.5	10.45

## STYLE MBT U-SEAL BACK-UP RINGS

Part Number	A Nom. ID	B Nom. OD	C Nom. Ht	List Price
MBT-30X5X1.9SB	30	40	1.9	3.39
MBT-30X5X3SB	30	40	3	8.67
MBT-32X5X2SG	32	42	2	13.60
MBT-35X5X1.5SG	35	45	1.5	10.88
MBT-35X5X2SG	35	45	2	13.60
MBT-35X5X3SB	35	45	3	28.51
MBT-38X5X3SB	38	48	3	17.90
MBT-40X5X0.5	40	50	.5	11.99
MBT-40X5X1.5	40	50	1.5	11.14
MBT-40X5X2SG	40	50	2	22.52
MBT-40X5X3SB	40	50	3	20.28
MBT-45X5X1.5SG	45	55	1.5	10.45
MBT-45X5X2SGM	45	55	2	23.41
MBT-45X5X3SGM	45	55	3	28.51
MBT-50X5X1.5SG	50	60	1.5	11.32
MBT-50X5X3SB	50	60	3	30.26
MBT-53X5X2SG	53	63	2	7.04
MBT-55X5X1.5SG	55	65	1.5	11.47
MBT-55X5X3SB	55	65	3	37.05
MBT-56X5X1.5	56	66	1.5	10.28
MBT-56X5X3SB	56	66	3	15.31
MBT-60X5X1.5SG	60	70	1.5	11.58
MBT-60X5X3SB	60	70	3	38.12
MBT-63X5X3SB	63	73	3	17.07
MBT-65X5X1.5SG	65	75	1.5	11.88
MBT-65X5X3SB	65	75	3	18.62
MBT-67X5X3SB	67	77	3	18.62
MBT-70X5X1.5	70	80	1.5	11.86
MBT-70X5X1.5SG	70	80	1.5	12.31
MBT-70X5X3SB	70	80	3	29.73
MBT-71X5X3SB	71	81	3	19.48
MBT-75X5X1.5SG	75	85	1.5	12.59
MBT-75X5X2SG	75	85	2	19.06
MBT-75X5X3SB	75	85	3	32.24
MBT-80X5X3SB	80	90	3	33.76
MBT-90X5X2SG	90	100	2	16.50
MBT-187X5X2B	187	197	2	25.74
MBT-215X5X2B	215	225	2	38.63
<b>5.3mm C/S</b>				
MBT-22.4X5.3X2SB	22.4	33	2	\$4.50
<b>5.5mm C/S</b>				
MBT-45X5.5X0.5	45	56	.5	\$9.79
MBT-45X5.5X3SB	45	56	3	12.93
MBT-60X5.5X3SB	60	71	3	17.42
<b>6.5mm C/S</b>				
MBT-25X6.5X2SB	25	38	2	\$6.31
MBT-27X6.5X3SB	27	40	3	10.21
MBT-30X6.5X3SB	30	43	3	17.32
MBT-31.5X6.5X3SB	31.5	44.5	3	10.21
MBT-40X6.5X2SG	40	53	2	16.23
MBT-42X6.5X2SG	42	55	2	20.67
MBT-50X6.5X2SG	50	63	2	18.81
MBT-50X6.5X3SB	50	63	3	31.51
MBT-55X6.5X3SB	55	68	3	36.48
MBT-60X6.5X3SB	60	73	3	22.99
MBT-65X6.5X3SB	65	78	3	44.12
MBT-66X6.5X3SB	66	79	3	34.81

## STYLE MBT U-SEAL BACK-UP RINGS

Part Number	A Nom. ID	B Nom. OD	C Nom. Ht	List Price
MBT-70X6.5X3SB	70	83	3	25.81
MBT-75X6.5X3SB	75	88	3	24.03
MBT-80X6.5X3SB	80	93	3	48.16
MBT-112X6.5X3SB	112	125	3	39.02
<b>6.9mm C/S</b>				
MBT-76X6.9X3SB	76	89.8	3	\$42.91
<b>7mm C/S</b>				
MBT-136X7X3SB	136	150	3	\$41.50
<b>7.3mm C/S</b>				
MBT-50.4X7.3X3SB	50.4	65	3	\$16.42
<b>7.5mm C/S</b>				
MBT-35X7.5X3SB	35	50	3	\$11.24
MBT-35.5X7.5X3SB	35.5	50.5	3	11.93
MBT-40X7.5X3SB	40	55	3	21.31
MBT-45X7.5X3	45	60	3	39.90
MBT-48X7.5X2SG	48	63	2	15.31
MBT-48X7.5X3SB	48	63	3	14.66
MBT-50X7.5X0.6	50	65	.6	8.98
MBT-50X7.5X2SG	50	65	2	12.19
MBT-50X7.5X3	50	65	3	18.00
MBT-55X7.5X2SG	55	70	2	12.60
MBT-55X7.5X3	55	70	3	4.79
MBT-55X7.5X3SB	55	70	3	21.78
MBT-60X7.5X0.5	60	75	.5	28.51
MBT-60X7.5X3SB	60	75	3	28.38
MBT-65X7.5X2SG	65	80	2	15.95
MBT-65X7.5X3SB	65	80	3	41.43
MBT-70X7.5X2SG	70	85	2	16.90
MBT-70X7.5X3SB	70	85	3	22.31
MBT-75X7.5X2SG	75	90	2	19.16
MBT-75X7.5X3SB	75	90	3	39.34
MBT-80X7.5X3SB	80	95	3	33.48
MBT-85X7.5X2SG	85	100	2	14.16
MBT-85X7.5X3SB	85	100	3	56.26
MBT-90X7.5X2SG	90	105	2	14.57
MBT-90X7.5X3SB	90	105	3	42.03
MBT-95X7.5X2SG	95	110	2	16.36
MBT-95X7.5X3SB	95	110	3	59.26
MBT-100X7.5X1.5	100	115	1.5	14.45
MBT-100X7.5X3SB	100	115	3	56.14
MBT-105X7.5X2SG	105	120	2	17.48
MBT-105X7.5X3SB	105	120	3	57.76
MBT-110X7.5X3SB	110	125	3	59.26
MBT-115X7.5X2G	115	130	2	29.85
MBT-115X7.5X3SB	115	130	3	38.07
MBT-120X7.5X3SB	120	135	3	39.81
MBT-125X7.5X3SB	125	140	3	41.00
MBT-130X7.5X3SB	130	145	3	64.81
MBT-135X7.5X3SB	135	150	3	44.45
MBT-140X7.5X3SB	140	155	3	45.71
MBT-145X7.5X3SB	145	160	3	47.38
MBT-150X7.5X3SB	150	165	3	49.12
MBT-155X7.5X4SB	155	170	4	47.15
MBT-160X7.5X4SB	160	175	4	49.40
MBT-165X7.5X4SB	165	180	4	52.09
MBT-175X7.5X4SB	175	190	4	57.69



## STYLE MBT U-SEAL BACK-UP RINGS

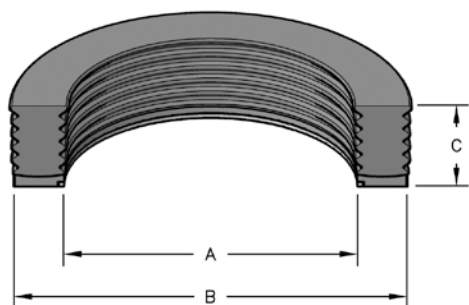
Part Number	A Nom. ID	B Nom. OD	C Nom. Ht	List Price
<b>8mm C/S</b>				
MBT-32X8X3B	32	48	3	\$21.29
MBT-34X8X3SB	34	50	3	12.17
MBT-40X8X3SB	40	56	3	13.98
MBT-45X8X3SB	45	61	3	15.56
MBT-50X8X3G	50	66	3	25.51
MBT-55X8X3SB	55	71	3	38.27
MBT-64X8X3SB	64	80	3	21.81
<b>8.5mm C/S</b>				
MBT-115X8.5X3SB	115	132	3	\$43.48
<b>10mm C/S</b>				
MBT-45X10X3B	45	65	3	\$27.68
MBT-50X10X3SB	50	70	3	19.69
MBT-55X10X3SB	55	75	3	43.38
MBT-60X10X3SB	60	80	3	21.07
MBT-65X10X3	65	85	3	31.51
MBT-70X10X3C	70	90	3	28.25
MBT-70X10X4SB	70	90	4	26.69
MBT-75X10X2C	75	95	2	29.12
MBT-75X10X3SB	75	95	3	27.81
MBT-84X10X2.5SG	84	104	2.5	84.47
MBT-85X10X3SB	85	105	3	32.42
MBT-90X10X3	90	110	3	33.76
MBT-95X10X3	95	115	3	35.12
MBT-100X10X3SB	100	120	3	36.51
MBT-105X10X3SB	105	125	3	37.81
MBT-110X10X3SB	110	130	3	41.90
MBT-115X10X3SB	115	135	3	58.24
MBT-120X10X3SB	120	140	3	43.22
MBT-130X10X3SB	130	150	3	46.62
MBT-135X10X3SB	135	155	3	47.64
MBT-140X10X3SB	140	160	3	47.43
MBT-140X10X4SB	140	160	4	42.65
MBT-145X10X3SB	145	165	3	50.78
MBT-150X10X3SB	150	170	3	48.62
MBT-155X10X4SB	155	175	4	67.55
MBT-160X10X3SB	160	180	3	52.66
MBT-160X10X4SB	160	180	4	69.26
MBT-170X10X4SB	170	190	4	73.12
<b>12.5mm C/S</b>				
MBT-125X12.5X3SB	125	150	3	\$55.93
MBT-140X12.5X3SB	140	165	3	62.31
MBT-155X12.5X4SB	155	180	4	85.27
MBT-175X12.5X4SB	175	200	4	95.52
MBT-200X12.5X4SB	200	225	4	78.02
MBT-280X12.5X4SB	280	305	4	148.58

Seal color may vary. Special order sizes are available.

# STYLE MSMR ROD SEAL W/BACK-UP RINGS



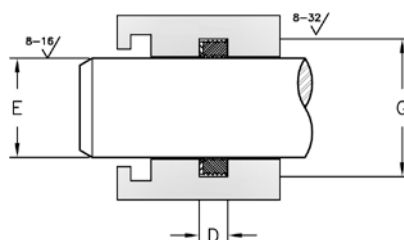
With redundant nitrile lips and an acetal back-up, this seal features high sealability and extrusion resistance.



**PART NUMBERS**

**MSMR- 25 x 37 x 21.5**

Type of Seal: MSMR  
Inside Diameter: 25  
Outside Diameter: 37  
Height: 21.5



## SEAL INFORMATION

MATERIAL	NBR SEAL ACETAL BACK-UP HEADER OF URETHANE, ACETAL, OR FABRIC - REINFORCED RUBBER
TEMPERATURE RANGE	-22° TO +212° F
PRESSURE RANGE	0 TO 10,000 PSI
SPEED	3 FT/SEC

Part Number	A Nom. ID	B Nom. OD	C Nom. Ht	D GROOVE WIDTH	E ROD DIAMETER	G HOUSING DIAMETER	List Price
MSMR-25X37X21.5	25	37	21.5	21.50 <sup>+0.25</sup> / <sub>+0.00</sub>	25.00 <sup>+0.00</sup> / <sub>-0.13</sub>	37.00 ±0.03	\$28.57
MSMR-32X47X22.5	32	47	22.5	22.50 <sup>+0.25</sup> / <sub>+0.00</sub>	32.00 <sup>+0.00</sup> / <sub>-0.16</sub>	47.00 ±0.03	17.03
MSMR-35X47X21	35	47	21	21.00 <sup>+0.25</sup> / <sub>+0.00</sub>	35.00 <sup>+0.00</sup> / <sub>-0.16</sub>	47.00 ±0.03	13.76
MSMR-35X45X24.5	35	45	24.5	24.50 <sup>+0.25</sup> / <sub>+0.00</sub>	35.00 <sup>+0.00</sup> / <sub>-0.16</sub>	45.00 ±0.03	13.76
MSMR-40X50X17.3	40	50	17.3	17.30 <sup>+0.25</sup> / <sub>+0.00</sub>	40.00 <sup>+0.00</sup> / <sub>-0.16</sub>	50.00 ±0.03	16.15
MSMR-40X52X22.5	40	52	22.5	22.50 <sup>+0.25</sup> / <sub>+0.00</sub>	40.00 <sup>+0.00</sup> / <sub>-0.16</sub>	52.00 ±0.03	14.40
MSMR-40X55X22.5	40	55	22.5	22.50 <sup>+0.25</sup> / <sub>+0.00</sub>	40.00 <sup>+0.00</sup> / <sub>-0.16</sub>	55.00 ±0.03	16.00
MSMR-40X60X28.5	40	60	28.5	28.50 <sup>+0.25</sup> / <sub>+0.00</sub>	40.00 <sup>+0.00</sup> / <sub>-0.16</sub>	60.00 ±0.03	15.49
MSMR-45X60X22.5	45	60	22.5	22.50 <sup>+0.25</sup> / <sub>+0.00</sub>	45.00 <sup>+0.00</sup> / <sub>-0.16</sub>	60.00 ±0.03	22.17
MSMR-45X65X28	45	65	28	28.00 <sup>+0.25</sup> / <sub>+0.00</sub>	45.00 <sup>+0.00</sup> / <sub>-0.16</sub>	65.00 ±0.03	44.37
MSMR-45X80X43	45	80	43	43.00 <sup>+0.25</sup> / <sub>+0.00</sub>	45.00 <sup>+0.00</sup> / <sub>-0.16</sub>	80.00 ±0.03	16.48
MSMR-50X63X20	50	63	20	20.00 <sup>+0.25</sup> / <sub>+0.00</sub>	50.00 <sup>+0.00</sup> / <sub>-0.16</sub>	63.00 ±0.03	15.88
MSMR-50X65X21	50	65	22.5	22.50 <sup>+0.25</sup> / <sub>+0.00</sub>	50.00 <sup>+0.00</sup> / <sub>-0.16</sub>	65.00 ±0.03	18.90
MSMR-50X65X22.5	50	65	22.5	22.50 <sup>+0.25</sup> / <sub>+0.00</sub>	50.00 <sup>+0.00</sup> / <sub>-0.16</sub>	65.00 ±0.03	18.90
MSMR-50X65X24.5	50	65	24.5	24.50 <sup>+0.25</sup> / <sub>+0.00</sub>	50.00 <sup>+0.00</sup> / <sub>-0.16</sub>	65.00 ±0.03	22.50
MSMR-55X70X21	55	70	21	21.00 <sup>+0.25</sup> / <sub>+0.00</sub>	55.00 <sup>+0.00</sup> / <sub>-0.19</sub>	70.00 ±0.03	17.27
MSMR-55X70X22.5	55	70	22.5	22.50 <sup>+0.25</sup> / <sub>+0.00</sub>	55.00 <sup>+0.00</sup> / <sub>-0.19</sub>	70.00 ±0.03	39.68

Seal color may vary.

# STYLE MSMR ROD SEAL W/BACK-UP RINGS

Part Number	A Nom. ID	B Nom. OD	C Nom. Ht	D GROOVE WIDTH	E ROD DIAMETER	G HOUSING DIAMETER	List Price
MSMR-55X70X25	55	70	25	25.00 <sup>+0.25</sup> / <sub>+0.00</sub>	55.00 <sup>+0.00</sup> / <sub>-0.19</sub>	70.00 ±0.03	19.15
MSMR-56X71X24	56	71	24	24.00 <sup>+0.25</sup> / <sub>+0.00</sub>	56.00 <sup>+0.00</sup> / <sub>-0.19</sub>	71.00 ±0.03	20.65
MSMR-60X75X22.5	60	75	22.5	22.50 <sup>+0.25</sup> / <sub>+0.00</sub>	60.00 <sup>+0.00</sup> / <sub>-0.19</sub>	75.00 ±0.03	20.22
MSMR-60X80X30	60	80	30	30.00 <sup>+0.25</sup> / <sub>+0.00</sub>	60.00 <sup>+0.00</sup> / <sub>-0.19</sub>	80.00 ±0.03	20.48
MSMR-60X80X31	60	80	31	31.00 <sup>+0.25</sup> / <sub>+0.00</sub>	60.00 <sup>+0.00</sup> / <sub>-0.19</sub>	80.00 ±0.03	20.65
MSMR-63X83X25	63	83	25	25.00 <sup>+0.25</sup> / <sub>+0.00</sub>	63.00 <sup>+0.00</sup> / <sub>-0.19</sub>	83.00 ±0.04	29.00
MSMR-63X83X27	63	83	27	27.00 <sup>+0.25</sup> / <sub>+0.00</sub>	63.00 <sup>+0.00</sup> / <sub>-0.19</sub>	83.00 ±0.04	50.44
MSMR-63X83X30	63	83	30	30.00 <sup>+0.25</sup> / <sub>+0.00</sub>	63.00 <sup>+0.00</sup> / <sub>-0.19</sub>	83.00 ±0.04	25.21
MSMR-65X85X29	65	85	29	29.00 <sup>+0.25</sup> / <sub>+0.00</sub>	65.00 <sup>+0.00</sup> / <sub>-0.19</sub>	85.00 ±0.04	41.51
MSMR-70X85X22.5	70	85	22.5	22.50 <sup>+0.25</sup> / <sub>+0.00</sub>	70.00 <sup>+0.00</sup> / <sub>-0.19</sub>	85.00 ±0.04	23.53
MSMR-70X83X25	70	83	25	25.00 <sup>+0.25</sup> / <sub>+0.00</sub>	70.00 <sup>+0.00</sup> / <sub>-0.19</sub>	83.00 ±0.04	22.61
MSMR-70X90X28	70	90	28	28.00 <sup>+0.25</sup> / <sub>+0.00</sub>	70.00 <sup>+0.00</sup> / <sub>-0.19</sub>	90.00 ±0.04	22.30
MSMR-70X90X30	70	90	30	30.00 <sup>+0.25</sup> / <sub>+0.00</sub>	70.00 <sup>+0.00</sup> / <sub>-0.19</sub>	90.00 ±0.04	33.74
MSMR-80X95X22.5	80	95	22.5	22.50 <sup>+0.25</sup> / <sub>+0.00</sub>	80.00 <sup>+0.00</sup> / <sub>-0.19</sub>	95.00 ±0.04	71.66
MSMR-80X100X30	80	100	30	30.00 <sup>+0.25</sup> / <sub>+0.00</sub>	80.00 <sup>+0.00</sup> / <sub>-0.19</sub>	100.00 ±0.04	35.42
MSMR-90X110X30	90	110	30	30.00 <sup>+0.25</sup> / <sub>+0.00</sub>	90.00 <sup>+0.00</sup> / <sub>-0.22</sub>	110.00 ±0.04	36.20
MSMR-95X110X21.5	95	110	21.5	21.50 <sup>+0.25</sup> / <sub>+0.00</sub>	95.00 <sup>+0.00</sup> / <sub>-0.22</sub>	110.00 ±0.04	26.94
MSMR-95X115X26	95	115	26	26.00 <sup>+0.25</sup> / <sub>+0.00</sub>	95.00 <sup>+0.00</sup> / <sub>-0.22</sub>	115.00 ±0.04	27.53
MSMR-100X120X30	100	120	30	30.00 <sup>+0.25</sup> / <sub>+0.00</sub>	100.00 <sup>+0.00</sup> / <sub>-0.22</sub>	120.00 ±0.04	31.70
MSMR-105X125X30	105	125	30	30.00 <sup>+0.25</sup> / <sub>+0.00</sub>	105.00 <sup>+0.00</sup> / <sub>-0.22</sub>	125.00 ±0.05	38.34
MSMR-115X130X21	115	130	21	21.00 <sup>+0.25</sup> / <sub>+0.00</sub>	115.00 <sup>+0.00</sup> / <sub>-0.22</sub>	130.00 ±0.05	28.69
MSMR-125X140X21	125	140	21	21.00 <sup>+0.25</sup> / <sub>+0.00</sub>	125.00 <sup>+0.00</sup> / <sub>-0.25</sub>	140.00 ±0.05	30.54
MSMR-125X145X28	125	145	28	28.00 <sup>+0.25</sup> / <sub>+0.00</sub>	125.00 <sup>+0.00</sup> / <sub>-0.25</sub>	145.00 ±0.05	35.97
MSMR-140X160X30	140	160	30	30.00 <sup>+0.25</sup> / <sub>+0.00</sub>	140.00 <sup>+0.00</sup> / <sub>-0.25</sub>	160.00 ±0.05	78.46
MSMR-160X180X26.5	160	180	26.5	26.50 <sup>+0.25</sup> / <sub>+0.00</sub>	160.00 <sup>+0.00</sup> / <sub>-0.25</sub>	180.00 ±0.05	41.32
MSMR-200X225X34	200	225	34	34.00 <sup>+0.25</sup> / <sub>+0.00</sub>	200.00 <sup>+0.00</sup> / <sub>-0.29</sub>	225.00 ±0.05	105.32

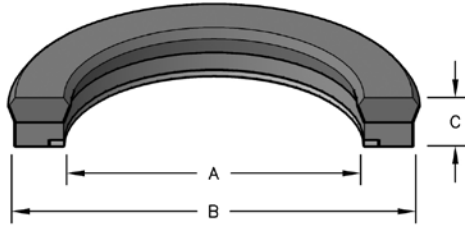
**SPECIAL ORDER STYLE MSMR**



Part Number	List Price	Part Number	List Price	Part Number	List Price
MSMR-20X33X19	\$ 7.79	MSMR-63X83X28	\$ 7.31	MSMR-110X130X30.5	\$ 27.22
MSMR-28X41X18.5	10.40	MSMR-63.5X82.55X29.5	7.31	MSMR-120X140X28.5	27.22
MSMR-45X60X22.4	11.83	MSMR-90X105X20.5	19.68	MSMR-120X140X29	28.53
MSMR-50X70X30	15.93	MSMR-90X105X31	19.50	MSMR-127X142X21.5	31.30
MSMR-50.8X66.61X23.4	19.68	MSMR-100X114.3X22.6	20.86		
MSMR-60X75X25	24.37	MSMR-110X125X21.5	21.70		

# STYLE MUFN-EI ROD U-SEALS W/BACK-UP RINGS

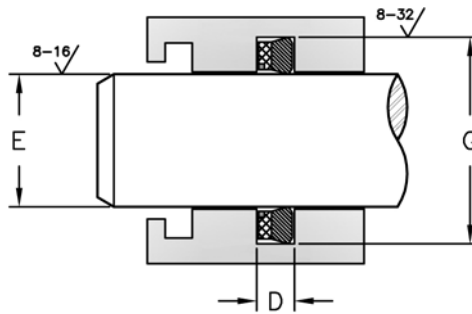
Incorporating a rubber seal lip, a rubberized fabric heel, and an acetal back-up ring, this seal provides excellent sealability and high extrusion resistance.



**PART NUMBERS**

**MUFN - 16 X 24 X 6.5EI**

Type of Seal: MUFN  
 Inside Diameter: 16  
 Outside Diameter: 24  
 Height: 6.5EI



SEAL INFORMATION	
MATERIAL	NBR 80 DURO SEAL NEO-FAB HEEL ACETAL ANTI-EXTRUSION RING
TEMPERATURE RANGE	-22° TO +212° F
PRESSURE RANGE	0 TO 6,000 PSI
SPEED	1.5 FT/SEC

Part Number	A Nom. ID	B Nom. OD	C Nom. Ht	D GROOVE WIDTH	E ROD DIAMETER	G HOUSING DIAMETER	List Price
MUFN-16X24X6.5EI	16	24	6.5	7.50 <sup>+0.20</sup> / <sub>+0.00</sub>	16.00 <sup>-0.016</sup> / <sub>-0.043</sub>	24.00 ±0.065	\$8.64
MUFN-20X28X6.5EI	20	28	6.5	7.50 <sup>+0.20</sup> / <sub>+0.00</sub>	20.00 <sup>-0.020</sup> / <sub>-0.053</sub>	28.00 ±0.065	8.23
MUFN-22X30X6.5EI	22	30	6.5	7.50 <sup>+0.20</sup> / <sub>+0.00</sub>	22.00 <sup>-0.020</sup> / <sub>-0.053</sub>	30.00 ±0.065	8.48
MUFN-22X35X9.5EI	22	35	9.5	10.50 <sup>+0.20</sup> / <sub>+0.00</sub>	22.00 <sup>-0.020</sup> / <sub>-0.053</sub>	35.00 ±0.08	9.47
MUFN-25X33X6EI	25	33	6	7.00 <sup>+0.20</sup> / <sub>+0.00</sub>	25.00 <sup>-0.020</sup> / <sub>-0.053</sub>	33.00 ±0.08	7.58
MUFN-25X33X6.5EI	25	33	6.5	7.50 <sup>+0.20</sup> / <sub>+0.00</sub>	25.00 <sup>-0.020</sup> / <sub>-0.053</sub>	33.00 ±0.08	8.48
MUFN-25X33X7EI	25	33	7	8.00 <sup>+0.20</sup> / <sub>+0.00</sub>	25.00 <sup>-0.020</sup> / <sub>-0.053</sub>	33.00 ±0.08	9.71
MUFN-25X35X7.5EI	25	35	7.5	8.50 <sup>+0.20</sup> / <sub>+0.00</sub>	25.00 <sup>-0.020</sup> / <sub>-0.053</sub>	35.00 ±0.08	7.42
MUFN-25X35X8EI	25	35	8	9.00 <sup>+0.20</sup> / <sub>+0.00</sub>	25.00 <sup>-0.020</sup> / <sub>-0.053</sub>	35.00 ±0.08	7.83
MUFN-25X38X9.5EI	25	38	9.5	10.50 <sup>+0.20</sup> / <sub>+0.00</sub>	25.00 <sup>-0.020</sup> / <sub>-0.053</sub>	38.00 ±0.08	9.47
MUFN-25X37X10EI	25	37	10	11.00 <sup>+0.20</sup> / <sub>+0.00</sub>	25.00 <sup>-0.020</sup> / <sub>-0.053</sub>	37.00 ±0.08	9.03
MUFN-28X38X7.5EI	28	38	8	9.00 <sup>+0.20</sup> / <sub>+0.00</sub>	28.00 <sup>-0.020</sup> / <sub>-0.053</sub>	38.00 ±0.08	9.03
MUFN-28X38X8EI	28	38	8	9.00 <sup>+0.20</sup> / <sub>+0.00</sub>	28.00 <sup>-0.020</sup> / <sub>-0.053</sub>	38.00 ±0.08	9.03
MUFN-28X40X9EI	28	40	9	10.00 <sup>+0.20</sup> / <sub>+0.00</sub>	28.00 <sup>-0.020</sup> / <sub>-0.053</sub>	40.00 ±0.08	7.99
MUFN-30X38X6EI	30	38	6	7.00 <sup>+0.20</sup> / <sub>+0.00</sub>	30.00 <sup>-0.020</sup> / <sub>-0.053</sub>	38.00 ±0.08	7.99

# STYLE MUFN-EI ROD U-SEALS W/BACK-UP RINGS



Part Number	A Nom. ID	B Nom. OD	C Nom. Ht	D GROOVE WIDTH	E ROD DIAMETER	G HOUSING DIAMETER	List Price
MUFN-30X40X7EI	30	40	7	8.00 <sup>+0.20</sup> / <sub>+0.00</sub>	30.00 <sup>-0.020</sup> / <sub>-0.053</sub>	40.00 ±0.08	9.47
MUFN-30X40X10EI	30	40	10	11.00 <sup>+0.20</sup> / <sub>+0.00</sub>	30.00 <sup>-0.020</sup> / <sub>-0.053</sub>	40.00 ±0.08	9.30
MUFN-30X45X10.5EI	30	45	10.5	11.50 <sup>+0.20</sup> / <sub>+0.00</sub>	30.00 <sup>-0.020</sup> / <sub>-0.053</sub>	45.00 ±0.08	9.87
MUFN-32X42X8EI	32	42	8	9.00 <sup>+0.20</sup> / <sub>+0.00</sub>	32.00 <sup>-0.025</sup> / <sub>-0.064</sub>	42.00 ±0.08	7.99
MUFN-32X40X8.5EI	32	40	8.5	9.50 <sup>+0.20</sup> / <sub>+0.00</sub>	32.00 <sup>-0.025</sup> / <sub>-0.064</sub>	40.00 ±0.08	9.87
MUFN-32X45X9.5EI	32	45	9.5	10.50 <sup>+0.20</sup> / <sub>+0.00</sub>	32.00 <sup>-0.025</sup> / <sub>-0.064</sub>	45.00 ±0.08	9.03
MUFN-35X43X6EI	35	43	6	7.00 <sup>+0.20</sup> / <sub>+0.00</sub>	35.00 <sup>-0.025</sup> / <sub>-0.064</sub>	43.00 ±0.08	10.67
MUFN-35X45X6.5EI	35	45	6.5	7.50 <sup>+0.20</sup> / <sub>+0.00</sub>	35.00 <sup>-0.025</sup> / <sub>-0.064</sub>	45.00 ±0.08	9.87
MUFN-35X45X7.5EI	35	45	7.5	8.50 <sup>+0.20</sup> / <sub>+0.00</sub>	35.00 <sup>-0.025</sup> / <sub>-0.064</sub>	45.00 ±0.08	9.87
MUFN-35X45X10EI	35	45	10	11.00 <sup>+0.20</sup> / <sub>+0.00</sub>	35.00 <sup>-0.025</sup> / <sub>-0.064</sub>	45.00 ±0.08	9.58
MUFN-35X50X10.5EI	35	50	10.5	11.50 <sup>+0.20</sup> / <sub>+0.00</sub>	35.00 <sup>-0.025</sup> / <sub>-0.064</sub>	50.00 ±0.08	10.12
MUFN-36X43X6EI	36	43	6	7.00 <sup>+0.20</sup> / <sub>+0.00</sub>	36.00 <sup>-0.025</sup> / <sub>-0.064</sub>	43.00 ±0.08	15.40
MUFN-36X46X8EI	36	46	8	9.00 <sup>+0.20</sup> / <sub>+0.00</sub>	36.00 <sup>-0.025</sup> / <sub>-0.064</sub>	46.00 ±0.08	9.87
MUFN-36X48X9EI	36	48	9	10.00 <sup>+0.20</sup> / <sub>+0.00</sub>	36.00 <sup>-0.025</sup> / <sub>-0.064</sub>	48.00 ±0.08	10.01
MUFN-38.1X50.8X9.5EI	38.1	50.8	9.5	10.50 <sup>+0.20</sup> / <sub>+0.00</sub>	38.10 <sup>-0.025</sup> / <sub>-0.064</sub>	50.80 ±0.095	6.77
MUFN-40X48X6EI	40	48	6	7.00 <sup>+0.20</sup> / <sub>+0.00</sub>	40.00 <sup>-0.025</sup> / <sub>-0.064</sub>	48.00 ±0.08	10.12
MUFN-40X50X7.5EI	40	50	7.5	8.50 <sup>+0.20</sup> / <sub>+0.00</sub>	40.00 <sup>-0.025</sup> / <sub>-0.064</sub>	50.00 ±0.08	9.20
MUFN-40X50X10EI	40	50	10	11.00 <sup>+0.20</sup> / <sub>+0.00</sub>	40.00 <sup>-0.025</sup> / <sub>-0.064</sub>	50.00 ±0.08	8.48
MUFN-40X50X10.5EI	40	50	10.5	11.50 <sup>+0.20</sup> / <sub>+0.00</sub>	40.00 <sup>-0.025</sup> / <sub>-0.064</sub>	50.00 ±0.08	10.28
MUFN-40X52X10.5EI	40	52	10.5	11.50 <sup>+0.20</sup> / <sub>+0.00</sub>	40.00 <sup>-0.025</sup> / <sub>-0.064</sub>	52.00 ±0.095	10.80
MUFN-40X55X10.5EI	40	55	10.5	11.50 <sup>+0.20</sup> / <sub>+0.00</sub>	40.00 <sup>-0.025</sup> / <sub>-0.064</sub>	55.00 ±0.095	10.01
MUFN-45X55X7EI	45	55	7	8.00 <sup>+0.20</sup> / <sub>+0.00</sub>	45.00 <sup>-0.025</sup> / <sub>-0.064</sub>	55.00 ±0.095	11.50
MUFN-45X55X7.5EI	45	55	7.5	8.50 <sup>+0.20</sup> / <sub>+0.00</sub>	45.00 <sup>-0.025</sup> / <sub>-0.064</sub>	55.00 ±0.095	11.50
MUFN-45X53X8EI	45	53	8	9.00 <sup>+0.20</sup> / <sub>+0.00</sub>	45.00 <sup>-0.025</sup> / <sub>-0.064</sub>	53.00 ±0.095	11.09
MUFN-45X60X10EI	45	60	10	11.00 <sup>+0.20</sup> / <sub>+0.00</sub>	45.00 <sup>-0.025</sup> / <sub>-0.064</sub>	60.00 ±0.095	10.80
MUFN-45X53X10.5EI	45	53	10.5	11.50 <sup>+0.20</sup> / <sub>+0.00</sub>	45.00 <sup>-0.025</sup> / <sub>-0.064</sub>	53.00 ±0.095	11.35
MUFN-45X55X10.5EI	45	55	10.5	11.50 <sup>+0.20</sup> / <sub>+0.00</sub>	45.00 <sup>-0.025</sup> / <sub>-0.064</sub>	55.00 ±0.095	11.35
MUFN-45X60X10.5EI	45	60	10.5	11.50 <sup>+0.20</sup> / <sub>+0.00</sub>	45.00 <sup>-0.025</sup> / <sub>-0.064</sub>	60.00 ±0.095	11.35
MUFN-45X65X14EI	45	65	14	15.00 <sup>+0.20</sup> / <sub>+0.00</sub>	45.00 <sup>-0.025</sup> / <sub>-0.064</sub>	65.00 ±0.095	11.89
MUFN-48X60X10.5EI	48	60	10.5	11.50 <sup>+0.20</sup> / <sub>+0.00</sub>	48.00 <sup>-0.025</sup> / <sub>-0.064</sub>	60.00 ±0.095	11.50


**STYLE MUFN-EI ROD U-SEALS W/BACK-UP RINGS**

Part Number	A Nom. ID	B Nom. OD	C Nom. Ht	D GROOVE WIDTH	E ROD DIAMETER	G HOUSING DIAMETER	List Price
MUFN-50X60X7.5EI	50	60	7.5	8.50 <sup>+0.20</sup> / <sub>+0.00</sub>	50.00 <sup>-0.025</sup> / <sub>-0.064</sub>	60.00 ±0.095	11.35
MUFN-50X62X9EI	50	62	9	10.00 <sup>+0.20</sup> / <sub>+0.00</sub>	50.00 <sup>-0.025</sup> / <sub>-0.064</sub>	62.00 ±0.095	11.50
MUFN-50X60X9.5EI	50	60	9.5	10.50 <sup>+0.20</sup> / <sub>+0.00</sub>	50.00 <sup>-0.025</sup> / <sub>-0.064</sub>	60.00 ±0.095	16.59
MUFN-50X62X9.5EI	50	62	9.5	10.50 <sup>+0.20</sup> / <sub>+0.00</sub>	50.00 <sup>-0.025</sup> / <sub>-0.064</sub>	62.00 ±0.095	11.50
MUFN-50X60X10EI	50	60	10	11.00 <sup>+0.20</sup> / <sub>+0.00</sub>	50.00 <sup>-0.025</sup> / <sub>-0.064</sub>	60.00 ±0.095	12.84
MUFN-50X65X10.5EI	50	65	10.5	11.50 <sup>+0.20</sup> / <sub>+0.00</sub>	50.00 <sup>-0.025</sup> / <sub>-0.064</sub>	65.00 ±0.095	12.18
MUFN-50X65X11EI	50	65	11	12.00 <sup>+0.20</sup> / <sub>+0.00</sub>	50.00 <sup>-0.025</sup> / <sub>-0.064</sub>	65.00 ±0.095	19.19
MUFN-50X70X13.5EI	50	70	13.5	14.50 <sup>+0.20</sup> / <sub>+0.00</sub>	50.00 <sup>-0.025</sup> / <sub>-0.064</sub>	70.00 ±0.095	12.18
MUFN-50X70X14EI	50	70	14	15.00 <sup>+0.20</sup> / <sub>+0.00</sub>	50.00 <sup>-0.025</sup> / <sub>-0.064</sub>	70.00 ±0.095	12.18
MUFN-55X65X7.5EI	55	65	7.5	8.50 <sup>+0.20</sup> / <sub>+0.00</sub>	55.00 <sup>-0.030</sup> / <sub>-0.076</sub>	65.00 ±0.095	10.46
MUFN-55X70X10EI	55	70	10	11.00 <sup>+0.20</sup> / <sub>+0.00</sub>	55.00 <sup>-0.030</sup> / <sub>-0.076</sub>	70.00 ±0.095	12.00
MUFN-55X65X10.5EI	55	65	10.5	11.50 <sup>+0.20</sup> / <sub>+0.00</sub>	55.00 <sup>-0.030</sup> / <sub>-0.076</sub>	65.00 ±0.095	10.94
MUFN-56X71X10EI	56	71	10	11.00 <sup>+0.20</sup> / <sub>+0.00</sub>	56.00 <sup>-0.030</sup> / <sub>-0.076</sub>	71.00 ±0.095	13.29
MUFN-56X71X12EI	56	71	12	13.00 <sup>+0.20</sup> / <sub>+0.00</sub>	56.00 <sup>-0.030</sup> / <sub>-0.076</sub>	71.00 ±0.095	15.00
MUFN-60X70X7.5EI	60	70	7.5	8.50 <sup>+0.20</sup> / <sub>+0.00</sub>	60.00 <sup>-0.030</sup> / <sub>-0.076</sub>	70.00 ±0.095	17.03
MUFN-60X70X9.5EI	60	70	9.5	10.50 <sup>+0.20</sup> / <sub>+0.00</sub>	60.00 <sup>-0.030</sup> / <sub>-0.076</sub>	70.00 ±0.095	12.69
MUFN-60X72X9.5EI	60	72	9.5	10.50 <sup>+0.20</sup> / <sub>+0.00</sub>	60.00 <sup>-0.030</sup> / <sub>-0.076</sub>	72.00 ±0.095	13.92
MUFN-60X70X10.5EI	60	70	10.5	11.50 <sup>+0.20</sup> / <sub>+0.00</sub>	60.00 <sup>-0.030</sup> / <sub>-0.076</sub>	70.00 ±0.095	12.41
MUFN-60X70X12.5EI	60	70	12.5	13.50 <sup>+0.20</sup> / <sub>+0.00</sub>	60.00 <sup>-0.030</sup> / <sub>-0.076</sub>	70.00 ±0.095	12.32
MUFN-60X75X12.5EI	60	75	12.5	13.50 <sup>+0.20</sup> / <sub>+0.00</sub>	60.00 <sup>-0.030</sup> / <sub>-0.076</sub>	75.00 ±0.095	13.92
MUFN-63X75X10EI	63	75	10	11.00 <sup>+0.20</sup> / <sub>+0.00</sub>	63.00 <sup>-0.030</sup> / <sub>-0.076</sub>	75.00 ±0.095	20.66
MUFN-63X78X12.5EI	63	78	12.5	13.50 <sup>+0.20</sup> / <sub>+0.00</sub>	63.00 <sup>-0.030</sup> / <sub>-0.076</sub>	78.00 ±0.095	16.48
MUFN-65X75X13EI	65	75	13	14.00 <sup>+0.20</sup> / <sub>+0.00</sub>	65.00 <sup>-0.030</sup> / <sub>-0.076</sub>	75.00 ±0.095	13.92
MUFN-65X85X14EI	65	85	14	15.00 <sup>+0.20</sup> / <sub>+0.00</sub>	65.00 <sup>-0.030</sup> / <sub>-0.076</sub>	85.00 ±0.11	15.67
MUFN-70X84X12EI	70	84	12	13.00 <sup>+0.20</sup> / <sub>+0.00</sub>	70.00 <sup>-0.030</sup> / <sub>-0.076</sub>	84.00 ±0.11	14.36
MUFN-70X85X12EI	70	85	12	13.00 <sup>+0.20</sup> / <sub>+0.00</sub>	70.00 <sup>-0.030</sup> / <sub>-0.076</sub>	85.00 ±0.11	14.61
MUFN-70X80X12.5EI	70	80	12.5	13.50 <sup>+0.20</sup> / <sub>+0.00</sub>	70.00 <sup>-0.030</sup> / <sub>-0.076</sub>	80.00 ±0.095	13.23
MUFN-70X90X14EI	70	90	14	15.00 <sup>+0.20</sup> / <sub>+0.00</sub>	70.00 <sup>-0.030</sup> / <sub>-0.076</sub>	90.00 ±0.11	15.92
MUFN-75X85X12EI	75	85	12	13.00 <sup>+0.20</sup> / <sub>+0.00</sub>	75.00 <sup>-0.030</sup> / <sub>-0.076</sub>	85.00 ±0.11	16.33
MUFN-80X95X10EI	80	95	10	11.00 <sup>+0.20</sup> / <sub>+0.00</sub>	80.00 <sup>-0.030</sup> / <sub>-0.076</sub>	95.00 ±0.11	18.11

# STYLE MUFN-EI ROD U-SEALS W/BACK-UP RINGS



Part Number	A Nom. ID	B Nom. OD	C Nom. Ht	D GROOVE WIDTH	E ROD DIAMETER	G HOUSING DIAMETER	List Price
MUFN-80X96X10EI	80	96	10	11.00 <sup>+0.20</sup> / <sub>+0.00</sub>	80.00 <sup>-0.030</sup> / <sub>-0.076</sub>	96.00 ±0.11	18.64
MUFN-80X100X12EI	80	100	12	13.00 <sup>+0.20</sup> / <sub>+0.00</sub>	80.00 <sup>-0.030</sup> / <sub>-0.076</sub>	100.00 ±0.11	18.11
MUFN-80X95X12.5EI	80	95	12.5	13.50 <sup>+0.20</sup> / <sub>+0.00</sub>	80.00 <sup>-0.030</sup> / <sub>-0.076</sub>	95.00 ±0.11	18.11
MUFN-80X100X14EI	80	100	14	15.00 <sup>+0.20</sup> / <sub>+0.00</sub>	80.00 <sup>-0.030</sup> / <sub>-0.076</sub>	100.00 ±0.11	18.51
MUFN-85X100X12EI	85	100	12	13.00 <sup>+0.20</sup> / <sub>+0.00</sub>	85.00 <sup>-0.036</sup> / <sub>-0.090</sub>	100.00 ±0.11	17.97
MUFN-90X100X10.5EI	90	100	10.5	11.50 <sup>+0.20</sup> / <sub>+0.00</sub>	90.00 <sup>-0.036</sup> / <sub>-0.090</sub>	100.00 ±0.11	18.11
MUFN-90X105X12EI	90	105	12	13.00 <sup>+0.20</sup> / <sub>+0.00</sub>	90.00 <sup>-0.036</sup> / <sub>-0.090</sub>	105.00 ±0.11	18.79
MUFN-90X110X12EI	90	110	12	13.00 <sup>+0.20</sup> / <sub>+0.00</sub>	90.00 <sup>-0.036</sup> / <sub>-0.090</sub>	110.00 ±0.11	18.51
MUFN-90X110X14EI	90	110	14	15.00 <sup>+0.20</sup> / <sub>+0.00</sub>	90.00 <sup>-0.036</sup> / <sub>-0.090</sub>	110.00 ±0.11	20.26
MUFN-95X110X12EI	95	110	12	13.00 <sup>+0.20</sup> / <sub>+0.00</sub>	95.00 <sup>-0.036</sup> / <sub>-0.090</sub>	110.00 ±0.11	52.58
MUFN-100X120X11.5EI	100	120	11.5	12.50 <sup>+0.20</sup> / <sub>+0.00</sub>	100.00 <sup>-0.036</sup> / <sub>-0.090</sub>	120.00 ±0.11	21.89
MUFN-100X115X12EI	100	115	12	13.00 <sup>+0.20</sup> / <sub>+0.00</sub>	100.00 <sup>-0.036</sup> / <sub>-0.090</sub>	115.00 ±0.11	21.89
MUFN-100X120X12EI	100	120	12	13.00 <sup>+0.20</sup> / <sub>+0.00</sub>	100.00 <sup>-0.036</sup> / <sub>-0.090</sub>	120.00 ±0.11	19.05
MUFN-100X120X14EI	100	120	14	15.00 <sup>+0.20</sup> / <sub>+0.00</sub>	100.00 <sup>-0.036</sup> / <sub>-0.090</sub>	120.00 ±0.11	21.89
MUFN-105X115X10.5EI	105	115	10.5	11.50 <sup>+0.20</sup> / <sub>+0.00</sub>	105.00 <sup>-0.036</sup> / <sub>-0.090</sub>	115.00 ±0.11	21.08
MUFN-105X120X13EI	105	120	13	14.00 <sup>+0.20</sup> / <sub>+0.00</sub>	105.00 <sup>-0.036</sup> / <sub>-0.090</sub>	120.00 ±0.11	22.71
MUFN-110X125X11.5EI	110	125	11.5	12.50 <sup>+0.20</sup> / <sub>+0.00</sub>	110.00 <sup>-0.036</sup> / <sub>-0.090</sub>	125.00 ±0.125	24.33
MUFN-110X130X12EI	110	130	12	13.00 <sup>+0.20</sup> / <sub>+0.00</sub>	110.00 <sup>-0.036</sup> / <sub>-0.090</sub>	130.00 ±0.125	26.47
MUFN-110X135X18.8EI	110	135	18.8	20.00 <sup>+0.20</sup> / <sub>+0.00</sub>	110.00 <sup>-0.036</sup> / <sub>-0.090</sub>	135.00 ±0.125	28.31
MUFN-125X150X14EI	125	150	14	15.00 <sup>+0.20</sup> / <sub>+0.00</sub>	125.00 <sup>-0.043</sup> / <sub>-0.106</sub>	150.00 ±0.125	30.38
MUFN-130X145X9EI	130	145	9	10.00 <sup>+0.20</sup> / <sub>+0.00</sub>	130.00 <sup>-0.043</sup> / <sub>-0.106</sub>	145.00 ±0.125	31.90
MUFN-140X160X11EI	140	160	11	12.00 <sup>+0.20</sup> / <sub>+0.00</sub>	140.00 <sup>-0.043</sup> / <sub>-0.106</sub>	160.00 ±0.125	30.65
MUFN-140X160X12EI	140	160	12	13.00 <sup>+0.20</sup> / <sub>+0.00</sub>	140.00 <sup>-0.043</sup> / <sub>-0.106</sub>	160.00 ±0.125	37.99
MUFN-150X170X13.5EI	150	170	13.5	14.50 <sup>+0.20</sup> / <sub>+0.00</sub>	150.00 <sup>-0.043</sup> / <sub>-0.106</sub>	170.00 ±0.125	22.82
MUFN-151X164X12EI	151	164	12	13.00 <sup>+0.20</sup> / <sub>+0.00</sub>	151.00 <sup>-0.043</sup> / <sub>-0.106</sub>	164.00 ±0.125	56.61
MUFN-160X180X14.5EI	160	180	14.5	15.50 <sup>+0.20</sup> / <sub>+0.00</sub>	160.00 <sup>-0.043</sup> / <sub>-0.106</sub>	180.00 ±0.125	24.54
MUFN-160X175X15EI	160	175	15	16.00 <sup>+0.20</sup> / <sub>+0.00</sub>	160.00 <sup>-0.043</sup> / <sub>-0.106</sub>	175.00 ±0.125	19.38
MUFN-170X182.7X9EI	170	182.7	9	10.00 <sup>+0.20</sup> / <sub>+0.00</sub>	170.00 <sup>-0.043</sup> / <sub>-0.106</sub>	182.70 ±0.145	24.19
MUFN-170X185X15EI	170	185	15	16.00 <sup>+0.20</sup> / <sub>+0.00</sub>	170.00 <sup>-0.043</sup> / <sub>-0.106</sub>	185.00 ±0.145	40.03



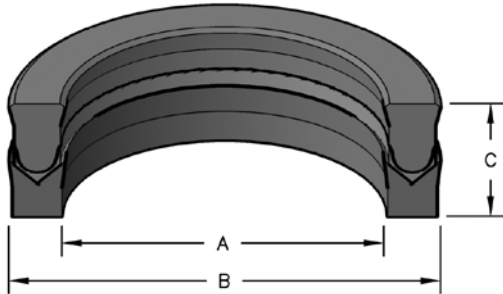
**SPECIAL ORDER STYLE MUFN-EI**

Part Number	List Price	Part Number	List Price	Part Number	List Price
MUFN-15X27X6.5EI	\$ 8.23	MUFN-55X75X13EI	\$ 15.61	MUFN-88.4X107.95X13.6EI	\$ 19.89
MUFN-20X27X6EI	9.46	MUFN-56X76X14EI	16.09	MUFN-101.6X120.65X17EI	21.20
MUFN-22X34X9EI	9.89	MUFN-60X70X12.2EI	16.48	MUFN-109.X130X12EI	21.69
MUFN-28.57X39.68X8.73EI	10.95	MUFN-60X75X11.3EI	16.60	MUFN-120X140X12EI	22.57
MUFN-30X50X14EI	11.32	MUFN-63X83X14EI	17.16	MUFN-130X145X12EI	22.44
MUFN-36X43X5.8EI	12.63	MUFN-63X83X9EI	16.97	MUFN-130X150X15EI	22.50
MUFN-40X60X13.5EI	13.56	MUFN-65X80X11.5EI	17.47	MUFN-130X155X12EI	22.56
MUFN-55X67X8.5EI	15.42	MUFN-84.83X104.9X13.97EI	19.33		
MUFN-55X70X9.5EI	15.55	MUFN-88.4X107.95X10.5EI	19.83		

## STYLE MUFN-BR ROD U-SEALS W/HEADERS

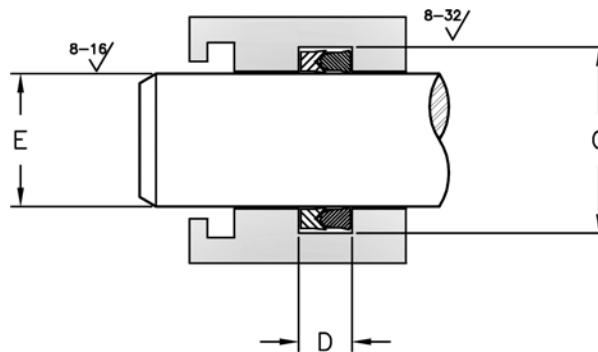


This is a single-acting rod seal designed for low and high pressure sealing and is commonly found in telescopic cylinders. The seal consists of a molded rubber sealing lip, rubberized fabric heel, and a polyester header for improved extrusion resistance.



### PART NUMBERS

**MUFN- 78 x 88 x 12**  
 Type of Seal    Inside Diameter    Outside Diameter    Height

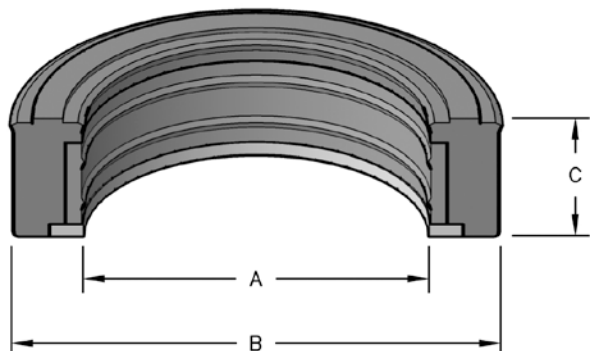


SEAL INFORMATION	
MATERIAL	RUBBER, FABRIC, POLYESTER ELASTOMER
TEMPERATURE RANGE	-22° TO +212° F
PRESSURE RANGE	0 TO 5800 PSI
SPEED	1.5 FT/SEC

Part Number	A Nom. ID	B Nom. OD	C Nom. Ht	D GROOVE WIDTH	E ROD DIAMETER	G HOUSING DIAMETER	List Price
MUFN-78X88X12BR-M-F	79	88	12	13.00 <sup>+0.30</sup> / <sub>+0.00</sub>	78.00 <sup>-0.030</sup> / <sub>-0.076</sub>	88.00 <sup>+0.14</sup> / <sub>+0.00</sub>	\$24.79
MUFN-98X108X12BR-M-F	98	108	12	13.00 <sup>+0.30</sup> / <sub>+0.00</sub>	98.00 <sup>-0.036</sup> / <sub>-0.090</sub>	108.00 <sup>+0.14</sup> / <sub>+0.00</sub>	27.77
MUFN-117X127X14BR-M-F	117	127	14	15.50 <sup>+0.30</sup> / <sub>+0.00</sub>	117.00 <sup>-0.036</sup> / <sub>-0.090</sub>	127.00 <sup>+0.16</sup> / <sub>+0.00</sub>	32.79
MUFN-136X146X14BR-M-F	136	146	14	15.50 <sup>+0.30</sup> / <sub>+0.00</sub>	136.00 <sup>-0.043</sup> / <sub>-0.106</sub>	146.00 <sup>+0.16</sup> / <sub>+0.00</sub>	37.40
MUFN-155X165X14BR-M-F	155	165	14	15.50 <sup>+0.30</sup> / <sub>+0.00</sub>	155.00 <sup>-0.043</sup> / <sub>-0.106</sub>	165.00 <sup>+0.16</sup> / <sub>+0.00</sub>	54.68
MUFN-176X188X16BR-M-F	176	188	16	17.00 <sup>+0.30</sup> / <sub>+0.00</sub>	176.00 <sup>-0.043</sup> / <sub>-0.106</sub>	188.00 <sup>+0.185</sup> / <sub>+0.000</sub>	67.39
MUFN-198X210X17.5BR-M-F	198	210	17.5	19.00 <sup>+0.30</sup> / <sub>+0.00</sub>	198.00 <sup>-0.050</sup> / <sub>-0.122</sub>	210.00 <sup>+0.185</sup> / <sub>+0.000</sub>	67.39

## STYLE MPDS ROD U-SEALS

The MPDS is a rubber seal with a fabric-reinforced dynamic surface providing low breakaway and low dynamic friction. An acetal back-up ring is incorporated into the heel to prevent extrusion.



### PART NUMBERS

**MPDS- 40 x 52 x 21**

Type of Seal: MPDS  
 Inside Diameter: 40  
 Outside Diameter: 52  
 Height: 21

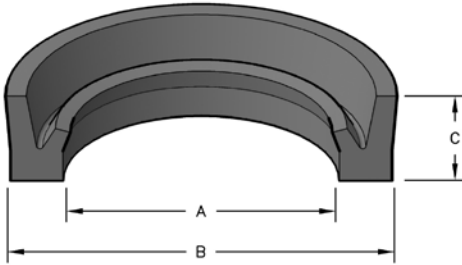
### SEAL INFORMATION

MATERIAL	NBR/NEO-FAB SEAL ACETAL ANTI-EXTRUSION RING
TEMPERATURE RANGE	-22° TO +230° F
PRESSURE RANGE	0 TO 3600 PSI
SPEED	1.5 ft/sec

Part Number	A Nom. ID	B Nom. OD	C Nom. Ht	List Price
MPDS-40X52X21	40	52	21	\$26.81
MPDS-50X65X21	50	65	21	30.72
MPDS-65X80X21	65	80	21	34.72
MPDS-80X95X21	80	95	21	38.20
MPDS-90X105X21	90	105	21	50.61
MPDS-100X115X28.5	100	115	28.5	54.52

# STYLE MUKRN ROD SEALS

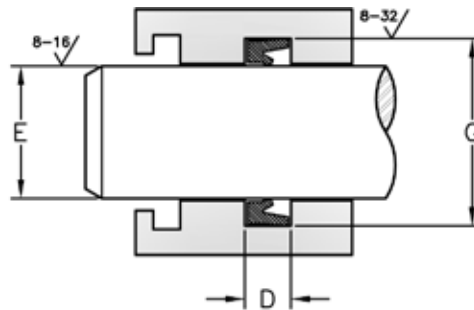
MUKRN is an asymmetrical single-acting pneumatic rod seal. Molded in nitrile, this seal is resistant to water and most oils while maintaining good low-pressure sealing.



### PART NUMBERS

**MUKRN - 6 X 12 X 4**

Type of Seal: MUKRN  
Rod Diameter: 6  
Groove Diameter: 12  
Height: 4



SEAL INFORMATION	
MATERIAL	80 A NBR
TEMPERATURE RANGE	-22° TO +212° F
PRESSURE RANGE	0 TO 1,500 PSI
SPEED	1.5 FT/SEC

Part Number	A Nom. ID	B Nom. OD	C Nom. Ht	D GROOVE WIDTH	E ROD DIAMETER	G HOUSING DIAMETER	List Price
MUKRN-6X12X4	6	12	4	4.50 +0.20 +0.00	6.00 -0.010 -0.028	12.00 +0.043 +0.000	\$3.35
MUKRN-8X14X4	8	14	4	4.50 +0.20 +0.00	8.00 -0.013 -0.035	14.00 +0.043 +0.000	5.07
MUKRN-8X16X5.5	8	16	5.5	6.00 +0.20 +0.00	8.00 -0.013 -0.035	16.00 +0.043 +0.000	3.35
MUKRN-8X18X8	8	18	8	8.50 +0.20 +0.00	8.00 -0.013 -0.035	18.00 +0.043 +0.000	3.85
MUKRN-10X13.6X2.3	10	13.6	2.3	2.80 +0.20 +0.00	10.00 -0.013 -0.035	13.60 +0.043 +0.000	10.69
MUKRN-10X16X4.5	10	16	4.5	5.00 +0.20 +0.00	10.00 -0.013 -0.035	16.00 +0.043 +0.000	3.73
MUKRN-10X18X5.5	10	18	5.5	6.00 +0.20 +0.00	10.00 -0.013 -0.035	18.00 +0.043 +0.000	5.01
MUKRN-12X22X5	12	22	5	5.50 +0.20 +0.00	12.00 -0.016 -0.043	22.00 +0.052 +0.000	3.73
MUKRN-12X20X5.5	12	20	5.5	6.00 +0.20 +0.00	12.00 -0.016 -0.043	20.00 +0.052 +0.000	3.73
MUKRN-12X22X7.5	12	22	7.5	8.00 +0.20 +0.00	12.00 -0.016 -0.043	22.00 +0.052 +0.000	3.73
MUKRN-14X24X5	14	24	5	5.50 +0.20 +0.00	14.00 -0.016 -0.043	24.00 +0.052 +0.000	4.74
MUKRN-16X22X5	16	22	5	5.50 +0.20 +0.00	16.00 -0.016 -0.043	22.00 +0.052 +0.000	4.74
MUKRN-16X24X5.5	16	24	5.5	6.00 +0.20 +0.00	16.00 -0.016 -0.043	24.00 +0.052 +0.000	9.34

## STYLE MUKRN ROD SEALS

Part Number	A Nom. ID	B Nom. OD	C Nom. Ht	D GROOVE WIDTH	E ROD DIAMETER	G HOUSING DIAMETER	List Price
MUKRN-18X25X4.5	18	25	4.5	5.00 <sup>+0.20</sup> / <sub>+0.00</sub>	18.00 <sup>-0.016</sup> / <sub>-0.043</sub>	25.00 <sup>+0.052</sup> / <sub>+0.000</sub>	4.74
MUKRN-18X25X5.5	18	25	5.5	6.00 <sup>+0.20</sup> / <sub>+0.00</sub>	18.00 <sup>-0.016</sup> / <sub>-0.043</sub>	25.00 <sup>+0.052</sup> / <sub>+0.000</sub>	4.74
MUKRN-18X26X5.5	18	26	5.5	6.00 <sup>+0.20</sup> / <sub>+0.00</sub>	18.00 <sup>-0.016</sup> / <sub>-0.043</sub>	26.00 <sup>+0.052</sup> / <sub>+0.000</sub>	4.74
MUKRN-18X30X8.5	18	30	8.5	9.50 <sup>+0.20</sup> / <sub>+0.00</sub>	18.00 <sup>-0.016</sup> / <sub>-0.043</sub>	30.00 <sup>+0.052</sup> / <sub>+0.000</sub>	4.74
MUKRN-20X26X5	20	26	5	5.50 <sup>+0.20</sup> / <sub>+0.00</sub>	20.00 <sup>-0.020</sup> / <sub>-0.053</sub>	26.00 <sup>+0.052</sup> / <sub>+0.000</sub>	8.55
MUKRN-20X28X5.5	20	28	5.5	6.00 <sup>+0.20</sup> / <sub>+0.00</sub>	20.00 <sup>-0.020</sup> / <sub>-0.053</sub>	28.00 <sup>+0.052</sup> / <sub>+0.000</sub>	4.74
MUKRN-20X30X6	20	30	6	6.50 <sup>+0.20</sup> / <sub>+0.00</sub>	20.00 <sup>-0.020</sup> / <sub>-0.053</sub>	30.00 <sup>+0.052</sup> / <sub>+0.000</sub>	4.87
MUKRN-22X30X5.5	22	30	5.5	6.00 <sup>+0.20</sup> / <sub>+0.00</sub>	22.00 <sup>-0.020</sup> / <sub>-0.053</sub>	30.00 <sup>+0.052</sup> / <sub>+0.000</sub>	4.87
MUKRN-23X31X5.5	23	31	5.5	6.00 <sup>+0.20</sup> / <sub>+0.00</sub>	23.00 <sup>-0.020</sup> / <sub>-0.053</sub>	31.00 <sup>+0.062</sup> / <sub>+0.000</sub>	4.87
MUKRN-25X35X6	25	35	6	6.50 <sup>+0.20</sup> / <sub>+0.00</sub>	25.00 <sup>-0.020</sup> / <sub>-0.053</sub>	35.00 <sup>+0.062</sup> / <sub>+0.000</sub>	4.87
MUKRN-25X37X6	25	37	6	6.50 <sup>+0.20</sup> / <sub>+0.00</sub>	25.00 <sup>-0.020</sup> / <sub>-0.053</sub>	37.00 <sup>+0.062</sup> / <sub>+0.000</sub>	5.51
MUKRN-25X35X7	25	35	7	7.50 <sup>+0.20</sup> / <sub>+0.00</sub>	25.00 <sup>-0.020</sup> / <sub>-0.053</sub>	35.00 <sup>+0.062</sup> / <sub>+0.000</sub>	4.87
MUKRN-25X35X7.5	25	35	7.5	8.00 <sup>+0.20</sup> / <sub>+0.00</sub>	25.00 <sup>-0.020</sup> / <sub>-0.053</sub>	35.00 <sup>+0.062</sup> / <sub>+0.000</sub>	5.25
MUKRN-25X33X8	25	33	8	8.50 <sup>+0.20</sup> / <sub>+0.00</sub>	25.00 <sup>-0.020</sup> / <sub>-0.053</sub>	33.00 <sup>+0.062</sup> / <sub>+0.000</sub>	4.87
MUKRN-28X36X5.5	28	36	5.5	6.00 <sup>+0.20</sup> / <sub>+0.00</sub>	28.00 <sup>-0.020</sup> / <sub>-0.053</sub>	36.00 <sup>+0.062</sup> / <sub>+0.000</sub>	5.51
MUKRN-30X40X7	30	40	7	7.50 <sup>+0.20</sup> / <sub>+0.00</sub>	30.00 <sup>-0.020</sup> / <sub>-0.053</sub>	40.00 <sup>+0.062</sup> / <sub>+0.000</sub>	5.51
MUKRN-30X42X8.5	30	42	8.5	9.50 <sup>+0.20</sup> / <sub>+0.00</sub>	30.00 <sup>-0.020</sup> / <sub>-0.053</sub>	42.00 <sup>+0.062</sup> / <sub>+0.000</sub>	5.76
MUKRN-32X42X7	32	42	7	7.50 <sup>+0.20</sup> / <sub>+0.00</sub>	32.00 <sup>-0.025</sup> / <sub>-0.064</sub>	42.00 <sup>+0.062</sup> / <sub>+0.000</sub>	6.20
MUKRN-35X45X7	35	45	7	7.50 <sup>+0.20</sup> / <sub>+0.00</sub>	35.00 <sup>-0.025</sup> / <sub>-0.064</sub>	45.00 <sup>+0.062</sup> / <sub>+0.000</sub>	6.20
MUKRN-35X43X8	35	43	8	8.50 <sup>+0.20</sup> / <sub>+0.00</sub>	35.00 <sup>-0.025</sup> / <sub>-0.064</sub>	43.00 <sup>+0.062</sup> / <sub>+0.000</sub>	6.20
MUKRN-35X44X12	35	44	12	13.00 <sup>+0.20</sup> / <sub>+0.00</sub>	35.00 <sup>-0.025</sup> / <sub>-0.064</sub>	44.00 <sup>+0.062</sup> / <sub>+0.000</sub>	8.50
MUKRN-36X46X7	36	46	7	7.50 <sup>+0.20</sup> / <sub>+0.00</sub>	36.00 <sup>-0.025</sup> / <sub>-0.064</sub>	46.00 <sup>+0.062</sup> / <sub>+0.000</sub>	6.20
MUKRN-38X48X7	38	48	7	7.50 <sup>+0.20</sup> / <sub>+0.00</sub>	38.00 <sup>-0.025</sup> / <sub>-0.064</sub>	48.00 <sup>+0.062</sup> / <sub>+0.000</sub>	17.20
MUKRN-40X48X5.5	40	48	5.5	6.00 <sup>+0.20</sup> / <sub>+0.00</sub>	40.00 <sup>-0.025</sup> / <sub>-0.064</sub>	48.00 <sup>+0.062</sup> / <sub>+0.000</sub>	6.51
MUKRN-40X48X8	40	48	8	8.50 <sup>+0.20</sup> / <sub>+0.00</sub>	40.00 <sup>-0.025</sup> / <sub>-0.064</sub>	48.00 <sup>+0.062</sup> / <sub>+0.000</sub>	6.51
MUKRN-40X56X12	40	56	12	13.00 <sup>+0.20</sup> / <sub>+0.00</sub>	40.00 <sup>-0.025</sup> / <sub>-0.064</sub>	56.00 <sup>+0.074</sup> / <sub>+0.000</sub>	8.50
MUKRN-42X52X7	42	52	7	7.50 <sup>+0.20</sup> / <sub>+0.00</sub>	42.00 <sup>-0.025</sup> / <sub>-0.064</sub>	52.00 <sup>+0.074</sup> / <sub>+0.000</sub>	7.13
MUKRN-44X54X7	44	54	7	7.50 <sup>+0.20</sup> / <sub>+0.00</sub>	44.00 <sup>-0.025</sup> / <sub>-0.064</sub>	54.00 <sup>+0.074</sup> / <sub>+0.000</sub>	7.13
MUKRN-45X55X7	45	55	7	7.50 <sup>+0.20</sup> / <sub>+0.00</sub>	45.00 <sup>-0.025</sup> / <sub>-0.064</sub>	55.00 <sup>+0.074</sup> / <sub>+0.000</sub>	7.13
MUKRN-45X53X8	45	53	8	8.50 <sup>+0.20</sup> / <sub>+0.00</sub>	45.00 <sup>-0.025</sup> / <sub>-0.064</sub>	53.00 <sup>+0.074</sup> / <sub>+0.000</sub>	7.89

# STYLE MUKRN ROD SEALS



Part Number	A Nom. ID	B Nom. OD	C Nom. Ht	D GROOVE WIDTH	E ROD DIAMETER	G HOUSING DIAMETER	List Price
MUKRN-45X65X15	45	65	15	16.00 <sup>+0.20</sup> / <sub>+0.00</sub>	45.00 <sup>-0.025</sup> / <sub>-0.064</sub>	65.00 <sup>+0.074</sup> / <sub>+0.000</sub>	8.35
MUKRN-50X60X7	50	60	7	7.50 <sup>+0.20</sup> / <sub>+0.00</sub>	50.00 <sup>-0.025</sup> / <sub>-0.064</sub>	60.00 <sup>+0.074</sup> / <sub>+0.000</sub>	7.13
MUKRN-50X60X12	50	60	12	13.00 <sup>+0.20</sup> / <sub>+0.00</sub>	50.00 <sup>-0.025</sup> / <sub>-0.064</sub>	60.00 <sup>+0.074</sup> / <sub>+0.000</sub>	7.74
MUKRN-50X66X12	50	66	12	13.00 <sup>+0.20</sup> / <sub>+0.00</sub>	50.00 <sup>-0.025</sup> / <sub>-0.064</sub>	66.00 <sup>+0.074</sup> / <sub>+0.000</sub>	8.50
MUKRN-56X66X7	56	66	7	7.50 <sup>+0.20</sup> / <sub>+0.00</sub>	56.00 <sup>-0.030</sup> / <sub>-0.076</sub>	66.00 <sup>+0.074</sup> / <sub>+0.000</sub>	7.94
MUKRN-60X72X8.5	60	72	8.5	9.50 <sup>+0.20</sup> / <sub>+0.00</sub>	60.00 <sup>-0.030</sup> / <sub>-0.076</sub>	72.00 <sup>+0.074</sup> / <sub>+0.000</sub>	7.94
MUKRN-63X75X8.5	63	75	8.5	9.50 <sup>+0.20</sup> / <sub>+0.00</sub>	63.00 <sup>-0.030</sup> / <sub>-0.076</sub>	75.00 <sup>+0.074</sup> / <sub>+0.000</sub>	8.23
MUKRN-65X77X8.5	65	77	8.5	9.50 <sup>+0.20</sup> / <sub>+0.00</sub>	65.00 <sup>-0.030</sup> / <sub>-0.076</sub>	77.00 <sup>+0.074</sup> / <sub>+0.000</sub>	10.57
MUKRN-70X82X8.5	70	82	8.5	9.50 <sup>+0.20</sup> / <sub>+0.00</sub>	70.00 <sup>-0.030</sup> / <sub>-0.076</sub>	82.00 <sup>+0.087</sup> / <sub>+0.000</sub>	10.95
MUKRN-70X90X15	70	90	15	16.00 <sup>+0.20</sup> / <sub>+0.00</sub>	70.00 <sup>-0.030</sup> / <sub>-0.076</sub>	90.00 <sup>+0.087</sup> / <sub>+0.000</sub>	10.95
MUKRN-75X87X8.5	75	87	8.5	9.50 <sup>+0.20</sup> / <sub>+0.00</sub>	75.00 <sup>-0.030</sup> / <sub>-0.076</sub>	87.00 <sup>+0.087</sup> / <sub>+0.000</sub>	11.24
MUKRN-80X92X8.5	80	92	8.5	9.50 <sup>+0.20</sup> / <sub>+0.00</sub>	80.00 <sup>-0.030</sup> / <sub>-0.076</sub>	92.00 <sup>+0.087</sup> / <sub>+0.000</sub>	36.13
MUKRN-85X100X10	85	100	10	11.00 <sup>+0.20</sup> / <sub>+0.00</sub>	85.00 <sup>-0.036</sup> / <sub>-0.090</sub>	100.00 <sup>+0.087</sup> / <sub>+0.000</sub>	16.26
MUKRN-88X100X8.5	88	100	8.5	9.50 <sup>+0.20</sup> / <sub>+0.00</sub>	88.00 <sup>-0.036</sup> / <sub>-0.090</sub>	100.00 <sup>+0.087</sup> / <sub>+0.000</sub>	17.16
MUKRN-90X100X9	90	100	9	10.00 <sup>+0.20</sup> / <sub>+0.00</sub>	90.00 <sup>-0.036</sup> / <sub>-0.090</sub>	100.00 <sup>+0.087</sup> / <sub>+0.000</sub>	21.33
MUKRN-100X115X10	100	115	10	11.00 <sup>+0.20</sup> / <sub>+0.00</sub>	100.00 <sup>-0.036</sup> / <sub>-0.090</sub>	115.00 <sup>+0.087</sup> / <sub>+0.000</sub>	22.59
MUKRN-105X120X10	105	120	10	11.00 <sup>+0.20</sup> / <sub>+0.00</sub>	105.00 <sup>-0.036</sup> / <sub>-0.090</sub>	120.00 <sup>+0.087</sup> / <sub>+0.000</sub>	19.34
MUKRN-110X125X10	110	125	10	11.00 <sup>+0.20</sup> / <sub>+0.00</sub>	110.00 <sup>-0.036</sup> / <sub>-0.090</sub>	125.00 <sup>+0.10</sup> / <sub>+0.00</sub>	22.43
MUKRN-120X135X10	120	135	10	11.00 <sup>+0.20</sup> / <sub>+0.00</sub>	120.00 <sup>-0.036</sup> / <sub>-0.090</sub>	135.00 <sup>+0.10</sup> / <sub>+0.00</sub>	24.91
MUKRN-120X140X15	120	140	15	16.00 <sup>+0.20</sup> / <sub>+0.00</sub>	120.00 <sup>-0.036</sup> / <sub>-0.090</sub>	140.00 <sup>+0.10</sup> / <sub>+0.00</sub>	23.47
MUKRN-130X145X10	130	145	10	11.00 <sup>+0.20</sup> / <sub>+0.00</sub>	130.00 <sup>-0.043</sup> / <sub>-0.106</sub>	145.00 <sup>+0.10</sup> / <sub>+0.00</sub>	23.47
MUKRN-140X160X14	140	160	14	15.00 <sup>+0.20</sup> / <sub>+0.00</sub>	140.00 <sup>-0.043</sup> / <sub>-0.106</sub>	160.00 <sup>+0.10</sup> / <sub>+0.00</sub>	25.56
MUKRN-150X170X14	150	170	14	15.00 <sup>+0.20</sup> / <sub>+0.00</sub>	150.00 <sup>-0.043</sup> / <sub>-0.106</sub>	170.00 <sup>+0.10</sup> / <sub>+0.00</sub>	25.77
MUKRN-155X165X7.5	155	165	7.5	8.00 <sup>+0.20</sup> / <sub>+0.00</sub>	155.00 <sup>-0.043</sup> / <sub>-0.106</sub>	165.00 <sup>+0.10</sup> / <sub>+0.00</sub>	28.54

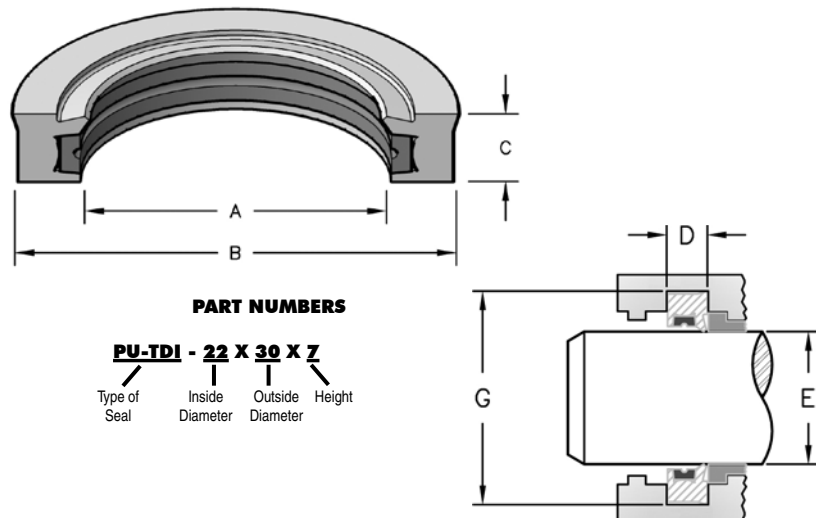
Seal color may vary. Special order sizes are available.


**SPECIAL ORDER STYLE MUKRN ROD SEALS**

Part Number	List Price	Part Number	List Price	Part Number	List Price
MUKRN-4X8X3	\$ 7.38	MUKRN-19.05X25.4X4.76	\$ 0.66	MUKRN-68X80X8.5	\$ 7.38
MUKRN-12X18.5X4.5	7.38	MUKRN-20X36X11	10.56	MUKRN-76.6X89.9X9.52	3.60
MUKRN-12.7X22.22X4.76	7.38	MUKRN-25X37X8.5	29.28	MUKRN-80X90X10.5	10.56
MUKRN-14X22X5	2.10	MUKRN-25X40X10	2.34	MUKRN-85X97X8.5	32.46
MUKRN-15X27X9	10.56	MUKRN-38.1X50.1X9.52	7.02	MUKRN-140X160X14V	2.25
MUKRN-15.87X22.22X4.76	10.56	MUKRN-44.45X57.15X7.93	2.76	MUKRN-142X157X10	7.38
MUKRN-16X22.5X4.5	24.84	MUKRN-47.63X63.5X9.5	3.30	MUKRN-170X190X14	23.10
MUKRN-16X26X7	7.38	MUKRN-53.97X69.85X9.3	10.56	MUKRN-220X240X14	7.38
MUKRN-16X27X9	10.56	MUKRN-55X70X11.5	10.56		
MUKRN-18X28X7.5	10.56	MUKRN-57.15X69.85X7.93	7.38		

## STYLE PU-TDI ROD SEALS

The PU-TDI tandem seal has a urethane sealing lip with a PTFE insert secondary sealing lip. Under increasing pressure, the outer seal acts to compress the PTFE slide ring onto the rod. This action creates a high force sealing edge of low-frictional resistance. These are genuine Hunger® parts.



SEAL INFORMATION	
MATERIAL	URETHANE BRONZE - FILLED PTFE
TEMPERATURE RANGE	-31° TO +212° F
PRESSURE RANGE	0 TO 6,500 PSI
SPEED	3 FT/SEC

Part Number	A Nom. ID	B Nom. OD	C Nom. Ht	D GROOVE WIDTH	E ROD DIAMETER	G HOUSING DIAMETER	List Price
PU-TDI22X30X7	22	30	7	7.50 <sup>+0.098</sup> <sub>-0.040</sub>	22.00 <sup>-0.040</sup> <sub>-0.073</sub>	30.00 <sup>+0.052</sup> <sub>+0.000</sub>	\$33.17
PU-TDI25X33X7	25	33	7	7.50 <sup>+0.098</sup> <sub>-0.040</sub>	25.00 <sup>-0.040</sup> <sub>-0.073</sub>	33.00 <sup>+0.062</sup> <sub>+0.000</sub>	47.29
PU-TDI28X36X7	28	36	7	7.50 <sup>+0.098</sup> <sub>-0.040</sub>	28.00 <sup>-0.040</sup> <sub>-0.073</sub>	36.00 <sup>+0.062</sup> <sub>+0.000</sub>	47.29
PU-TDI30X38X7	30	38	7	7.50 <sup>+0.098</sup> <sub>-0.040</sub>	30.00 <sup>-0.040</sup> <sub>-0.073</sub>	38.00 <sup>+0.062</sup> <sub>+0.000</sub>	47.29
PU-TDI32X40X7	32	40	7	7.50 <sup>+0.098</sup> <sub>-0.040</sub>	32.00 <sup>-0.050</sup> <sub>-0.089</sub>	40.00 <sup>+0.062</sup> <sub>+0.000</sub>	42.18
PU-TDI35X43X7	35	43	7	7.50 <sup>+0.098</sup> <sub>-0.040</sub>	35.00 <sup>-0.050</sup> <sub>-0.089</sub>	43.00 <sup>+0.062</sup> <sub>+0.000</sub>	45.33
PU-TDI36X44X8	36	44	8	8.50 <sup>+0.098</sup> <sub>-0.040</sub>	36.00 <sup>-0.050</sup> <sub>-0.089</sub>	44.00 <sup>+0.062</sup> <sub>+0.000</sub>	47.29
PU-TDI40X48X8	40	48	8	8.50 <sup>+0.098</sup> <sub>-0.040</sub>	40.00 <sup>-0.050</sup> <sub>-0.089</sub>	48.00 <sup>+0.062</sup> <sub>+0.000</sub>	51.22
PU-TDI45X55X10	45	55	10	11.00 <sup>+0.12</sup> <sub>-0.05</sub>	45.00 <sup>-0.050</sup> <sub>-0.089</sub>	55.00 <sup>+0.074</sup> <sub>+0.000</sub>	52.02
PU-TDI50X60X10	50	60	10	11.00 <sup>+0.12</sup> <sub>-0.05</sub>	50.00 <sup>-0.050</sup> <sub>-0.089</sub>	60.00 <sup>+0.074</sup> <sub>+0.000</sub>	54.79
PU-TDI55X65X10	55	65	10	11.00 <sup>+0.12</sup> <sub>-0.05</sub>	55.00 <sup>-0.060</sup> <sub>-0.106</sub>	65.00 <sup>+0.074</sup> <sub>+0.000</sub>	55.18
PU-TDI56X71X12	56	71	12	13.00 <sup>+0.12</sup> <sub>-0.05</sub>	56.00 <sup>-0.060</sup> <sub>-0.106</sub>	71.00 <sup>+0.074</sup> <sub>+0.000</sub>	60.31
PU-TDI60X75X12	60	75	12	13.00 <sup>+0.12</sup> <sub>-0.05</sub>	60.00 <sup>-0.060</sup> <sub>-0.106</sub>	75.00 <sup>+0.074</sup> <sub>+0.000</sub>	63.07
PU-TDI63X78X12	63	78	12	13.00 <sup>+0.12</sup> <sub>-0.05</sub>	63.00 <sup>-0.060</sup> <sub>-0.106</sub>	78.00 <sup>+0.074</sup> <sub>+0.000</sub>	65.83
PU-TDI70X85X12	70	85	12	13.00 <sup>+0.12</sup> <sub>-0.05</sub>	70.00 <sup>-0.060</sup> <sub>-0.106</sub>	85.00 <sup>+0.087</sup> <sub>+0.000</sub>	78.05
PU-TDI80X95X12	80	95	12	13.00 <sup>+0.12</sup> <sub>-0.05</sub>	80.00 <sup>-0.060</sup> <sub>-0.106</sub>	95.00 <sup>+0.087</sup> <sub>+0.000</sub>	91.04
PU-TDI85X100X12	85	100	12	13.00 <sup>+0.12</sup> <sub>-0.05</sub>	85.00 <sup>-0.072</sup> <sub>-0.126</sub>	100.00 <sup>+0.087</sup> <sub>+0.000</sub>	94.98
PU-TDI90X105X12	90	105	12	13.00 <sup>+0.12</sup> <sub>-0.05</sub>	90.00 <sup>-0.072</sup> <sub>-0.126</sub>	105.00 <sup>+0.087</sup> <sub>+0.000</sub>	104.45
PU-TDI95X110X12	95	110	12	13.00 <sup>+0.12</sup> <sub>-0.05</sub>	95.00 <sup>-0.072</sup> <sub>-0.126</sub>	110.00 <sup>+0.087</sup> <sub>+0.000</sub>	112.72



## STYLE PU-TDI ROD SEALS

Part Number	A Nom. ID	B Nom. OD	C Nom. Ht	D GROOVE WIDTH	E ROD DIAMETER	G HOUSING DIAMETER	List Price
PU-TDI100X115X12	100	115	12	13.00 <sup>+0.12</sup> <sub>-0.05</sub>	100.00 <sup>-0.072</sup> <sub>-0.126</sub>	115.00 <sup>+0.087</sup> <sub>+0.000</sub>	115.48
PU-TDI105X120X12	105	120	12	13.00 <sup>+0.12</sup> <sub>-0.05</sub>	105.00 <sup>-0.072</sup> <sub>-0.126</sub>	120.00 <sup>+0.087</sup> <sub>+0.000</sub>	137.94
PU-TDI110X125X12	110	125	12	13.00 <sup>+0.12</sup> <sub>-0.05</sub>	110.00 <sup>-0.072</sup> <sub>-0.126</sub>	125.00 <sup>+0.10</sup> <sub>+0.00</sub>	137.94
PU-TDI115X130X12	115	130	12	13.00 <sup>+0.12</sup> <sub>-0.05</sub>	115.00 <sup>-0.072</sup> <sub>-0.126</sub>	130.00 <sup>+0.10</sup> <sub>+0.00</sub>	132.42
PU-TDI120X140X16	120	140	16	17.00 <sup>+0.12</sup> <sub>-0.05</sub>	120.00 <sup>-0.072</sup> <sub>-0.126</sub>	140.00 <sup>+0.10</sup> <sub>+0.00</sub>	135.19
PU-TDI125X145X16	125	145	16	17.00 <sup>+0.12</sup> <sub>-0.05</sub>	125.00 <sup>-0.085</sup> <sub>-0.148</sub>	145.00 <sup>+0.10</sup> <sub>+0.00</sub>	135.19
PU-TDI130X150X16	130	150	16	17.00 <sup>+0.12</sup> <sub>-0.05</sub>	130.00 <sup>-0.085</sup> <sub>-0.148</sub>	150.00 <sup>+0.10</sup> <sub>+0.00</sub>	152.93
PU-TDI135X155X16	135	155	16	17.00 <sup>+0.12</sup> <sub>-0.05</sub>	135.00 <sup>-0.085</sup> <sub>-0.148</sub>	155.00 <sup>+0.10</sup> <sub>+0.00</sub>	165.61
PU-TDI140X160X16	140	160	16	17.00 <sup>+0.12</sup> <sub>-0.05</sub>	140.00 <sup>-0.085</sup> <sub>-0.148</sub>	160.00 <sup>+0.10</sup> <sub>+0.00</sub>	184.45
PU-TDI140X155X17	140	155	17	18.00 <sup>+0.12</sup> <sub>-0.05</sub>	140.00 <sup>-0.085</sup> <sub>-0.148</sub>	155.00 <sup>+0.10</sup> <sub>+0.00</sub>	204.95
PU-TDI145X165X16	145	165	16	17.00 <sup>+0.12</sup> <sub>-0.05</sub>	145.00 <sup>-0.085</sup> <sub>-0.148</sub>	165.00 <sup>+0.10</sup> <sub>+0.00</sub>	244.36
PU-TDI150X170X16	150	170	16	17.00 <sup>+0.12</sup> <sub>-0.05</sub>	150.00 <sup>-0.085</sup> <sub>-0.148</sub>	170.00 <sup>+0.10</sup> <sub>+0.00</sub>	224.66
PU-TDI160X180X16	160	180	16	17.00 <sup>+0.12</sup> <sub>-0.05</sub>	160.00 <sup>-0.085</sup> <sub>-0.148</sub>	180.00 <sup>+0.10</sup> <sub>+0.00</sub>	249.49
PU-TDI170X190X16	170	190	16	17.00 <sup>+0.12</sup> <sub>-0.05</sub>	170.00 <sup>-0.085</sup> <sub>-0.148</sub>	190.00 <sup>+0.115</sup> <sub>+0.000</sub>	298.75
PU-TDI175X195X16	175	195	16	17.00 <sup>+0.12</sup> <sub>-0.05</sub>	175.00 <sup>-0.085</sup> <sub>-0.148</sub>	195.00 <sup>+0.115</sup> <sub>+0.000</sub>	328.31
PU-TDI180X200X16	180	200	16	17.00 <sup>+0.12</sup> <sub>-0.05</sub>	180.00 <sup>-0.085</sup> <sub>-0.148</sub>	200.00 <sup>+0.115</sup> <sub>+0.000</sub>	323.58
PU-TDI180X200X20	180	200	20	21.00 <sup>+0.149</sup> <sub>-0.065</sub>	180.00 <sup>-0.085</sup> <sub>-0.148</sub>	200.00 <sup>+0.115</sup> <sub>+0.000</sub>	492.29
PU-TDI190X210X16	190	210	16	17.00 <sup>+0.12</sup> <sub>-0.05</sub>	190.00 <sup>-0.100</sup> <sub>-0.172</sub>	210.00 <sup>+0.115</sup> <sub>+0.000</sub>	338.97
PU-TDI200X220X16	200	220	16	17.00 <sup>+0.12</sup> <sub>-0.05</sub>	200.00 <sup>-0.100</sup> <sub>-0.172</sub>	220.00 <sup>+0.115</sup> <sub>+0.000</sub>	355.89
PU-TDI240X260X16	240	260	16	17.00 <sup>+0.12</sup> <sub>-0.05</sub>	240.00 <sup>-0.100</sup> <sub>-0.172</sub>	260.00 <sup>+0.13</sup> <sub>+0.00</sub>	534.44
PU-TDI300X320X16	300	320	16	17.00 <sup>+0.12</sup> <sub>-0.05</sub>	300.00 <sup>-0.110</sup> <sub>-0.191</sub>	320.00 <sup>+0.14</sup> <sub>+0.00</sub>	1029.48
PU-TDI320X350X20	320	350	20	21.00 <sup>+0.149</sup> <sub>-0.065</sub>	320.00 <sup>-0.125</sup> <sub>-0.214</sub>	350.00 <sup>+0.14</sup> <sub>+0.00</sub>	1167.84

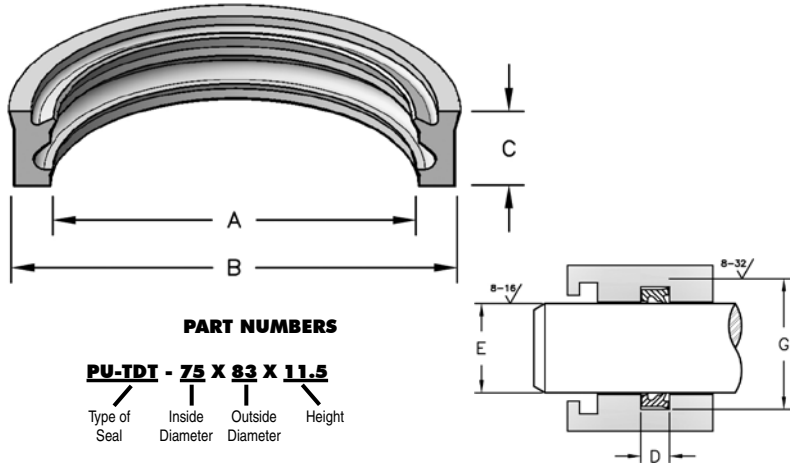
## SPECIAL ORDER STYLE PU-TDI ROD SEALS

Part Number	List Price	Part Number	List Price	Part Number	List Price
PU-TDI 225X245X16	\$ 391.00	PU-TDI 80X95X12V	\$ 212.69	PU-TDI 160X180X16V	\$ 581.90
PU-TDI 28X36X7V	142.14	PU-TDI 100X115X12V	416.59		

## STYLE PU-TDT ROD SEALS



The PU-TDT tandem seal is a twin-lip urethane seal designed for telescopic cylinder applications. The simple and compact construction is ideal for use in telescopic stages in companion with FI type bearings. These are genuine Hunger® parts.




SEAL INFORMATION	
MATERIAL	URETHANE
TEMPERATURE RANGE	-31° TO +212° F
PRESSURE RANGE	0 TO 5,200 PSI
SPEED	3 FT/SEC


Part Number	A Nom. ID	B Nom. OD	C Nom. Ht	D GROOVE WIDTH	E ROD DIAMETER	G HOUSING DIAMETER	List Price
PU-TDT 75X83X11.5	75	83	11.5	12.00 +0.12 -0.05	75.00 -0.060 -0.106	83.00 +0.087 +0.000	\$ 20.28
PU-TDT 90X98X11.5	90	98	11.5	12.00 +0.12 -0.05	90.00 -0.072 -0.126	98.00 +0.087 +0.000	22.86
PU-TDT 95X103X11.5	95	103	11.5	12.00 +0.12 -0.05	95.00 -0.072 -0.126	103.00 +0.087 +0.000	25.27
PU-TDT 110X118X11.5	110	118	11.5	12.00 +0.12 -0.05	110.00 -0.072 -0.126	118.00 +0.087 +0.000	25.80
PU-TDT 113X121X11.5	113	121	11.5	12.00 +0.12 -0.05	113.00 -0.072 -0.126	121.00 +0.10 +0.00	26.92
PU-TDT 120X128X11.5	120	128	11.5	12.00 +0.12 -0.05	120.00 -0.072 -0.126	128.00 +0.10 +0.00	29.49


## SPECIAL ORDER STYLE PU-TDT ROD SEALS

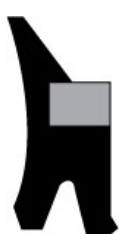
Part Number	List Price	Part Number	List Price
PU-TDT 125X135X11.5	\$ 31.89	PU-TDT 70X78X11.5	\$ 18.89

## SPECIAL ORDER ROD SEALS

MRTSB	SEAL INFORMATION	
	MATERIAL	PU+POM
	TEMPERATURE RANGE	-40° TO +105° C
	PRESSURE RANGE	500 (BAR)
	SPEED	0,5 M/S

MUFN	SEAL INFORMATION	
	MATERIAL	NBR+FABRIC
	TEMPERATURE RANGE	-30° TO +100° C
	PRESSURE RANGE	250 (BAR)
	SPEED	0,5 M/S

MUTS	SEAL INFORMATION	
	MATERIAL	PU
	TEMPERATURE RANGE	-40° TO +105° C
	PRESSURE RANGE	400 (BAR)
	SPEED	0,5 M/S

MK30	SEAL INFORMATION	
	MATERIAL	NBR+STEEL
	TEMPERATURE RANGE	-30° TO +105° C
	PRESSURE RANGE	16 (BAR)
	SPEED	1,0 M/S

Part Number	List Price
MRTSB-40X55X10	\$ 6.86
MRTSB-50X70X12	8.94
MRTSB-90X110X11.5	15.35
MRTSB-95X115X13.5	16.07
MRTSB-105X125X12	17.52
MRTSB-110X120X13.5	17.89
MRTSB-114X130X20	18.25
MRTSB-115X130X16	18.61
MRTSB-150X170X13.5	20.36
MRTSB-160X185X18	21.38
MRTSB-200X220X14	26.50
MUFN-5X12X6	7.07
MUFN-6.35X14.27X6	7.14
MUFN-8X15X6.09	7.21
MUFN-9X15X4.6	7.29
MUFN-9.52X19.05X6.8	7.36
MUFN-10X18X6	7.43
MUFN-10X18X8	7.50
MUFN-12X17X3.5	7.58
MUFN-12X19X6	7.65

Part Number	List Price
MUFN-12X20X7	\$ 7.72
MUFN-12.7X19.05X4.3	7.79
MUFN-12.7X22.22X6.8	7.87
MUFN-13X25X11.65	7.94
MUFN-14.3X20.6X3.63	8.01
MUFN-15X23X5.5	8.08
MUFN-15X23X6	8.16
MUFN-15X27X9	8.30
MUFN-15.88X22.22X4.75	8.37
MUFN-15.88X25.4X7	8.45
MUFN-15.88X25.58X9.53	8.52
MUFN-16X24X5.73	8.59
MUFN-16X24X6.71	8.74
MUFN-16X24X7	8.81
MUFN-16X24X8	8.88
MUFN-16X25X6	8.95
MUFN-16X28X9.4	9.03
MUFN-17.45X30.15X9.53	9.09
MUFN-19.05X25.4X4.69	9.21
MUFN-19.05X31.75X7.8	9.27

Part Number	List Price
MUFN-19.05X31.75X9.05	\$ 9.34
MUFN-20X27X6.2	9.40
MUFN-20X30X7	9.52
MUFN-20X30X7.8	9.58
MUFN-20X35X10.55	9.65
MUFN-20X35X11	9.71
MUFN-22X30X8	9.77
MUFN-22X32X10	9.83
MUFN-22X35X9	9.96
MUFN-22.22X31.75X8.7	10.02
MUFN-22.22X31.75X9.25	10.08
MUFN-22.22X34.93X9.53	10.14
MUFN-23.8X36.5X9.52	10.21
MUFN-24X32X7	10.27
MUFN-24X34X6	10.33
MUFN-25X35X8.17	10.45
MUFN-25X35X8.47	10.52
MUFN-25.4X31.75X4.67	10.58
MUFN-25.4X38.1X9.06	10.64
MUFN-25.4X41.28X10.9	10.70

## SPECIAL ORDER ROD SEALS

Part Number	List Price	Part Number	List Price	Part Number	List Price
MUFN-26X34X8.02	\$ 10.76	MUFN-44X55X10	\$ 13.93	MUFN-63.5X88.9X18.6	\$ 17.35
MUFN-28.58X41.28X9.52	11.07	MUFN-44.45X57.15X9	13.99	MUFN-65X75X12.5	17.41
MUFN-29.97X41.65X7.36	11.14	MUFN-44.45X60.19X10.92	14.06	MUFN-66.68X82.55X13.7	17.60
MUFN-30X45X8.89	11.20	MUFN-44.45X61.9X10.92	14.12	MUFN-66.68X85.73X14	17.66
MUFN-30X50X13.53	11.26	MUFN-45X60X10.5	14.24	MUFN-69.85X82.55X9	17.72
MUFN-31.75X38.1X6	11.39	MUFN-45X62X14	14.30	MUFN-69.85X88.9X13.6	17.78
MUFN-31.75X41.27X12.2	11.45	MUFN-45X63X10.14	14.37	MUFN-70X79.6X7.9	17.84
MUFN-31.75X41.27X6	11.51	MUFN-45X65X13.7	14.49	MUFN-70X80X11.2	17.91
MUFN-31.75X44.45X9.39	11.63	MUFN-46X56X7.5	14.55	MUFN-70X80X4V	17.97
MUFN-31.75X47.62X10.7	11.70	MUFN-48X60X6.5	14.61	MUFN-73X85X10.5	18.09
MUFN-31.75X47.62X7.93	11.76	MUFN-50X58X11.5	14.68	MUFN-75X90X11	18.15
MUFN-31.75X47.63X11.11	11.82	MUFN-50X60X11.5	14.74	MUFN-75X90X11.5	18.22
MUFN-32X42X7.5	11.88	MUFN-50X60X12	14.80	MUFN-75X95X13.5	18.28
MUFN-32X44X11.5	11.94	MUFN-50X60X9.5	14.86	MUFN-76.2X101.6X15.1	18.34
MUFN-32X44X12	12.01	MUFN-50X62X14	14.92	MUFN-76.2X92.07X9.52	18.40
MUFN-34.9X50.8X9	12.07	MUFN-50.8X63.5X7.9	15.05	MUFN-76.2X95.25X12	18.46
MUFN-34.92X44.45X7	12.13	MUFN-50.8X66.54X10.92	15.11	MUFN-76.2X95.25X13.7	18.53
MUFN-34.92X50.8X10.6	12.19	MUFN-50.8X69.85X10.5	15.17	MUFN-76.2X95.25X9	18.59
MUFN-35X45X12.9	12.25	MUFN-50.8X76.3X18.9	15.24	MUFN-78X90X12	18.65
MUFN-35X50X11	12.38	MUFN-51X63X9	15.30	MUFN-79.75X89.91X7	18.71
MUFN-35X50X11.5	12.44	MUFN-53.97X72.89X13.4	15.36	MUFN-80X100X13	18.77
MUFN-35X55X12	12.50	MUFN-55X70X15	15.48	MUFN-80X90X7	18.90
MUFN-36X43X5.8	12.56	MUFN-55X75X14	15.67	MUFN-80X93X13.6	18.96
MUFN-36X43X6	12.69	MUFN-55X75X18	15.73	MUFN-80.77X90.93X7.36	19.09
MUFN-36X46X8	12.75	MUFN-56X71X12	15.79	MUFN-82.55X101.6X12.7	19.15
MUFN-37.69X50.8X8.7	12.81	MUFN-57.15X66.7X4.37	15.92	MUFN-82.55X101.6X14.22	19.21
MUFN-38X50X8.5	12.88	MUFN-57.15X69.85X9.39	15.98	MUFN-84.83X104.9X13.97	19.27
MUFN-38.1X47.62X4.34	12.94	MUFN-57.15X73.03X10.5	16.04	MUFN-85X100X11.5	19.40
MUFN-38.1X47.62X6.4	13.00	MUFN-57.15X76.2X12.7	16.10	MUFN-85X105X14	19.58
MUFN-38.1X50.8X11.68	13.06	MUFN-57.15X76.2X13.6	16.17	MUFN-85.95X104.64X13.6	19.71
MUFN-38.1X53.84X10.9	13.12	MUFN-57.15X76.2X9.39	16.23	MUFN-88X102X18	19.77
MUFN-38.1X53.97X10.2	13.19	MUFN-59.94X71.88X9	16.29	MUFN-88.9X107.95X12	19.95
MUFN-38.1X53.98X11.9	13.25	MUFN-60X68X6	16.35	MUFN-88.9X114.3X13	20.02
MUFN-40X50X6.5	13.37	MUFN-60X72X9	16.54	MUFN-88.9X114.3X18.2	20.08
MUFN-40X60X13.5	13.50	MUFN-60X80X13.5	16.66	MUFN-90X101X12	20.14
MUFN-40X60X14	13.62	MUFN-60.19X79.24X13.8	16.73	MUFN-90X102X8.6	9.55
MUFN-41X56X12	13.68	MUFN-63X73X7.5	16.79	MUFN-90X105X11.2	20.27
MUFN-41.27X57.15X10.9	13.74	MUFN-63.5X72.9X9.52	17.04	MUFN-90X105X11.5	20.33
MUFN-42X50X6.5	13.81	MUFN-63.5X79.34X9	17.10	MUFN-90X105X12	20.39
MUFN-43X58X10.5	13.87	MUFN-63.5X79.37X15.2	17.16	MUFN-90X110X14	20.45



## SPECIAL ORDER ROD SEALS

Part Number	List Price
MUFN-90X110X14.6-TGU	\$ 20.51
MUFN-95X106.93X11.93	20.64
MUFN-95X110X10.4	20.70
MUFN-95X115X11	20.76
MUFN-95.25X120.65X18.05	20.95
MUFN-100X115X11	21.01
MUFN-100X120X11	21.07
MUFN-101.6X127X18.2	21.26
MUFN-105X120X11.4	21.45
MUFN-107X115X7	21.51
MUFN-107.95X133.35X18.5	21.57
MUFN-108X120X12	21.63
MUFN-110X130X12	21.82
MUFN-114.3X133.35X10.5	21.88
MUFN-114.3X139.74X18	21.94
MUFN-115X126X14.5	22.00
MUFN-115X130X11	22.07
MUFN-118X130X11.5	22.13
MUFN-119.83X139.95X11.93	22.19
MUFN-127X152.4X18.5	22.31
MUFN-130X140X7.5	22.38
MUFN-139.7X165.1X18	22.63
MUFN-144.78X157.48X8.89	22.81
MUFN-145X160X12.5	22.94

Part Number	List Price
MUFN-152.4X184.15X24.5	\$ 23.00
MUFN-154X175X18.4	23.99
MUFN-158.75X177.8X13.5	24.98
MUFN-160X175X15	25.98
MUFN-160X180X15 V	26.97
MUFN-165X185X15	27.97
MUFN-165.1X177.8X9	29.99
MUFN-190X220X24	34.05
MUFN-200X220X15	36.08
MUFN-254X285.75X25.8	38.11
MUFN-310X340X25	40.14
MUFN-375X400X18.4	42.17
MUTS-10X18X5.7	3.42
MUTS-12X18X4.5	3.72
MUTS-12X20X5.6	4.02
MUTS-16X24X5.7	4.31
MUTS-18X28X7	4.61
MUTS-20X26X5	4.91
MUTS-20X27X5.8	5.20
MUTS-20X28X7	5.50
MUTS-20X30X8	5.80
MUTS-22X29X5	6.09
MUTS-25X32X4	6.39
MUTS-27X35X6	6.69

Part Number	List Price
MUTS-32X40X8	\$ 6.99
MUTS-40X48X8	7.28
MUTS-45X53X12	7.58
MUTS-50X60X7	7.88
MUTS-63X71X8	8.17
MUTS-63X75X10	8.47
MUTS-78X86X13	8.77
MUTS-85X95X8.5	9.06
MUTS-85X97X8.5	9.36
MUTS-85.7X111.1X14	9.66
MUTS-105X120X11	11.06
MUTS-127X152.4X14	13.85
MUTS-130X145X11	15.25
MUTS-135X150X11	16.64
MUTS-165X180X11	18.04
MUTS-200X220X15	39.88
MUTS-250X275X18.5	83.16
MK30-10X17X7	2.88
MK30-12X22X7	2.88
MK30-14X24X7	3.22
MK30-16X26X7	3.22
MK30-32X42X7	4.37
MK30-35X45X7	4.95